

METAL LINE SWITCHES



ARLIN

ARLIN

28 Commercial Drive
THOMASTOWN VIC 3074
AUSTRALIA

TEL: **03 9465 0011**

INT. : 61 3 9465 0011

FAX: 03 9465 5088

EMAIL: sales@arlin.com.au

CONTENTS

TYPE

PAGE

MECHANICAL PUSH BUTTON SWITCH

MCS SERIES

	3
MCS19: Tactile feedback membrane switch 19mm various options	4-5
MCS30: Ring illuminated tactile feedback switch 30mm	6
SSM30: Low profile slim-travel switch 30mm	6

MSM SERIES

	7
MSM16: Soft-tactile pushbutton switch 16mm	8
MSM19: Soft-tactile pushbutton switch 19mm various options	8-9
MSM22: Soft-tactile pushbutton switch 22mm various options	10
MSM30: Soft-tactile pushbutton switch 30mm various options	11

PIEZO TOUCH BUTTON SWITCH

PSE SERIES

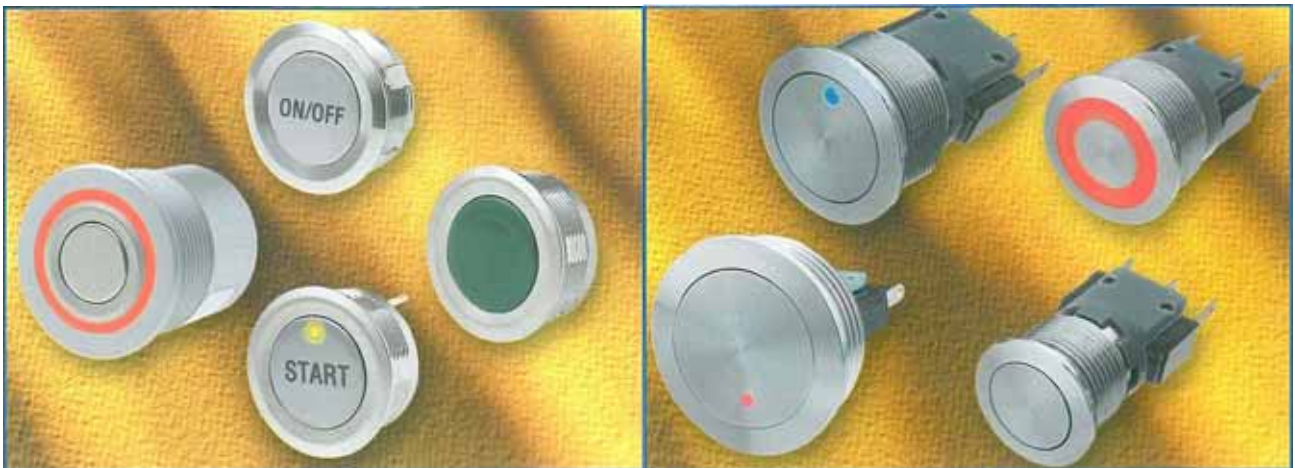
	13
PSE M16: Touch pulse action piezo switch 16mm	14
PSE M19: Touch pulse action piezo switch 19mm	16
PSE M22: Touch pulse action piezo switch 22mm	16-17
PSE M24: Touch pulse action piezo switch 24mm	17
PSE M27: Touch pulse action piezo switch 27mm	18
PSE M30: Touch pulse action piezo switch 30mm	18
PSE Special Version: PSE Series with various special options	19-21

NEW - SNAP-IN SWITCH - NEW

MSM / MCS30 / PSE

Snap-in fast assembly mechanical or piezo switch 19-30mm	22-23
--	--------------

MECHANICAL VANDAL PROOF SWITCHES



The mechanical Metal Line Switch range offers a great positive feel to the button. These feature top quality and an attractive yet rugged design, with the ability to be used in diverse application fields.

METAL LINE SWITCHES



FEATURES

- Rugged design
- Protection against vandalism
- Best quality and long lifetime due to high-quality materials
- Reliable tactile feedback on input
- Excellent price-performance ratio
- Versatile colour design and lettering

Type		MCS 19	MCS 30	SSM
Electrical Data				
Switching Voltage min.	[VDC]	4	4	3
Switching Voltage max.	[VDC]	48	48	50
Switching Current max.	[mA]	125	125	50
Rated Breaking Capacity	[W]	1.2	1.2	2.5
Lifetime (at Rated Breaking Capacity)	[mill.]	1	1	5
Initial Contact Resistance new	[mΩ]	< 50	< 50	
Initial Contact Resistance (after Lifetime)	[mΩ]	< 150	< 150	
Insulation Resistance	[MΩ]	> 100	> 100	
Duration of Bounce	[ms]	< 5	< 5	< 1
Supply Voltage Ring Illumination	[VDC]	24	24	
LED Data Point Illumination		see page 39		
Switching Function		N.O.	N.O.	N.O.
Mechanical Data				
Actuating Force	[N]	3.7	3.7	2.8
Actuating Travel	[mm]	0.4	0.4	0.3
Lifetime mechanical	[mill.]	1	1	5
Starting Torque (with Sealing Ring)	[Nm]	0.4		
IK Protection Class (Shock Protection)	[IK]	IK 05	IK 05	IK 07
Climatical Data				
Operating Temperature	[°C]	-20 to +60	-25 to +60	-25 to +85
Storage Temperature	[°C]	-20 to +60	-25 to +60	-25 to +85
IP Protection Class Front Side	[IP]	IP 40	IP 40	IP 65
IP Protection Class Contact Area	[IP]	IP 65	IP 65	IP 65

METAL LINE SWITCHES

In addition to the standard types, additional versions as well as laser lettering are available on request.



MCS 19 Zinc



MCS 19
Zinc/Stainless Steel



MCS 19 Stainless Steel

Characteristics

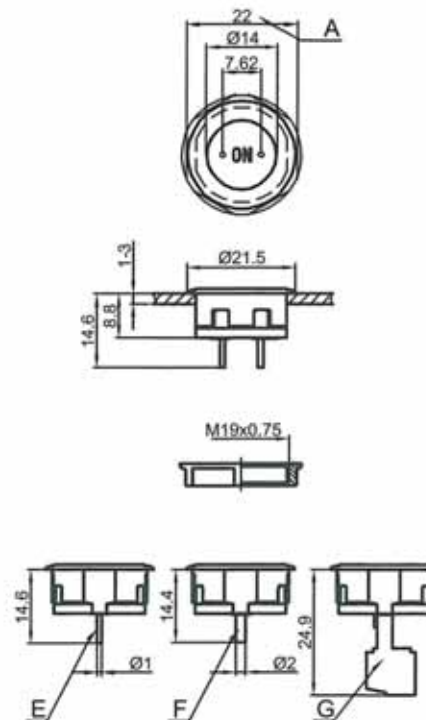
Mounting Diameter	[mm]	19	19	19
Housing Material		Zinc Diecasting	Zinc Diecasting	Stainless Steel
Actuator Material		Zinc Diecasting	Stainless Steel	Stainless Steel
Illumination		non-illuminated	non-illuminated	non-illuminated
Accessories		All switches are supplied with nut and o-ring seal.		

Order Number

Terminal				
Pins		1241.2800	1241.2805	1241.2820
Pins with Soldering Aid		1241.2801	1241.2806	1241.2821
Clip for Pins		1241.2802	1241.2807	1241.2822

Drawing

A Illumination Area
B Actuating Area
C Width Across Flats
E Pins
F Pins with Soldering Aid
G Clip for Pins



METAL LINE SWITCHES

In addition to the standard types, additional versions as well as laser lettering are available on request.



MCS 19
Actuator Varnished



MCS 19
Housing Varnished



MCS 19 PI

Characteristics

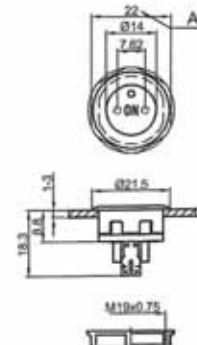
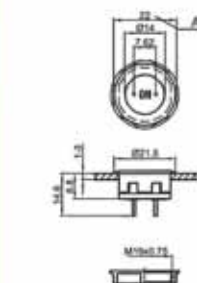
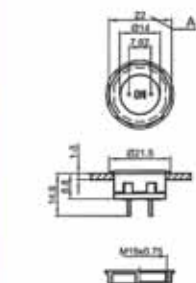
Mounting Diameter	[mm]	19	19	19
Housing Material		Zinc Diecasting	Zinc Diecasting, red varnished	Zinc Diecasting
Actuator Material		Stainless Steel, red varnished	Stainless Steel	Stainless Steel
Illumination		non-illuminated	non-illuminated	Point Illumination
Accessories		All switches are supplied with nut and o-ring seal.		

Order Number

Terminal				
Pins		1241.2877.3	1241.2873.3	
Pins with Soldering Aid		1241.2878.3	1241.2874.3	o
Clip for Pins		1241.2879.3	1241.2875.3	
Illumination				
red				1241.2855
green				1241.2856
yellow				1241.2857
blue				1241.2859
red / green				1241.2858

Drawing

A Illumination Area
B Actuating Area
C Width Across Flats
E Pins
F Pins with Soldering Aid
G Clip for Pins



o Standard version

METAL LINE SWITCHES

In addition to the standard types, additional versions as well as laser lettering are available on request.



MCS 30 RI



SSM 30

Characteristics

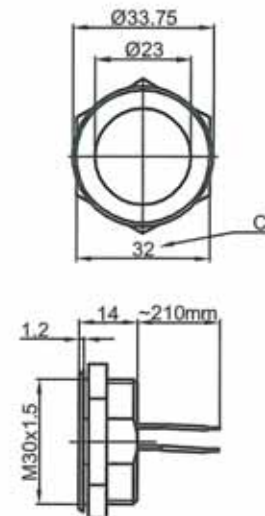
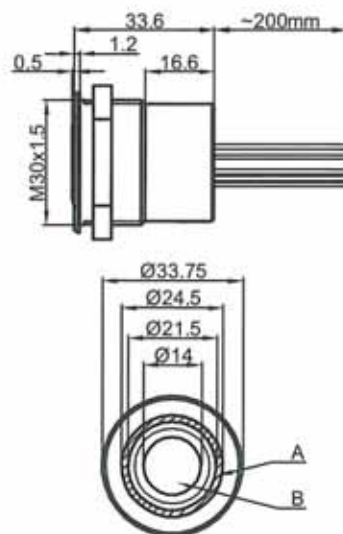
Mounting Diameter [mm]	30	30
Housing Material	Alu. anodised	Stainless Steel
Actuator Material	Zinc Diecasting	Stainless Steel
Illumination	Ring Illumination	non-illuminated
Accessories	All switches are supplied with nut and o-ring seal.	

Order Number

Terminal		
Wire	o	1245.3122.22100000
Illumination		
red	1241.6400	
green	1241.6401	
yellow	1241.6402	
blue	1241.6404	
red / green	1241.6403	

Drawing

A Illumination Area
 B Actuating Area
 C Width Across Flats
 E Pins
 F Pins with Soldering Aid
 G Clip for Pins



o Standard version

METAL LINE SWITCHES



FEATURES

- High shock resistance
- Pleasant tactile feeling
- Flat front design
- Made of top-quality stainless steel
- Easy mounting
- Available with point or ring illumination
- Laser lettering is possible

Type		MSM 0.1A / 30 VDC	MSM 5A / 125VAC, 3A / 250VAC	MSM 10A / 250VAC
Electrical Data				
Switching Voltage min.	[VDC]	3	5	5
Switching Voltage max.	[VDC]	30	125 / 250	250
Switching Current max.	[mA]	100	5 / 3	10
Rated Breaking Capacity	[W]	3	1250	2500
Lifetime (at Rated Breaking Capacity)	[mill.]	0.2	0.2	0.05
Initial Contact Resistance new	[mΩ]	< 50	< 30	< 30
Initial Contact Resistance (after Lifetime)	[mΩ]	< 150	< 90	< 90
Insulation Resistance	[MΩ]	> 100	> 100	> 100
Duration of Bounce	[ms]	< 5	< 5	< 5
Supply Voltage Ring Illumination	[VDC]	24	24	24
LED Data Point Illumination		see page 39	see page 39	see page 39
Switching Function		N.O., N.C., N.O./N.C.	N.O., N.C., N.O./N.C.	N.O., N.C., N.O./N.C.
Mechanical Data				
Actuating Force	[N]	3.7	3.7	3.7
Actuating Travel	[mm]	0.8	0.8	0.8
IK Protection Class (Shock Protection) (Mounting Diameter 16 mm)	[IK]	IK 06	IK 06	IK 06
IK Protection Class (Shock Protection) (Mounting Diameter 19, 22, 30 mm)	[IK]	IK 07	IK 07	IK 07
Climatical Data				
Operating Temperature	[°C]	-25 to +85	-25 to +85	-25 to +85
Storage Temperature	[°C]	-25 to +85	-25 to +85	-25 to +85
IP Protection Class	[IP]	IP 67	IP 67	IP 67

METAL LINE SWITCHES

In addition to the standard types, additional versions as well as laser lettering are available on request.



MSM 16



MSM 19

Characteristics

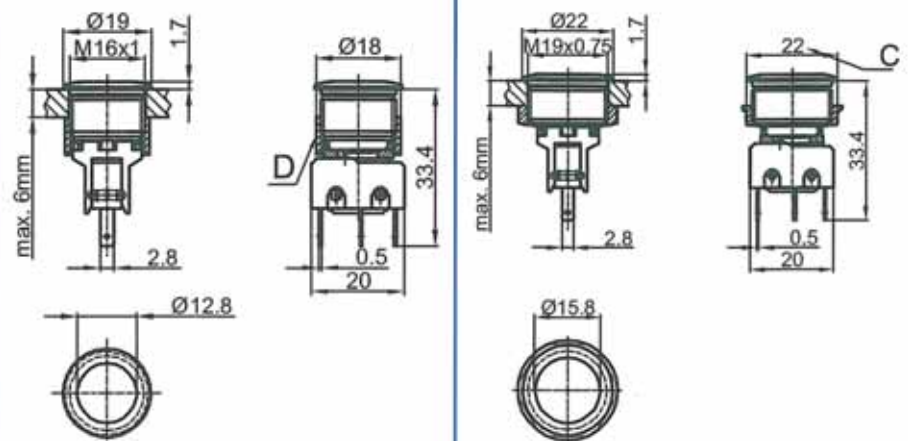
Mounting Diameter	[mm]	16	19
Housing Material		Stainless Steel	Stainless Steel
Actuator Material		Stainless Steel	Stainless Steel
Terminal		Quick Connect Terminal	Quick Connect Terminal
Illumination		non-illuminated	non-illuminated
Accessories		All switches are supplied with nut and o-ring seal.	

Order Number

Electrical Rating			
0.1A / 30 VDC		1241.6611.1110000	1241.6621.1110000
5A / 125VAC, 3A / 250VAC		1241.6611.1120000	1241.6621.1120000
10A / 250VAC		1241.6611.1130000	1241.6621.1130000

Drawing

A Illumination Area
B Actuation Area
C Width Across Flats
D Knurled Nut



METAL LINE SWITCHES

In addition to the standard types, additional versions as well as laser lettering are available on request.



MSM 19 PI



MSM 19 RI

Characteristics

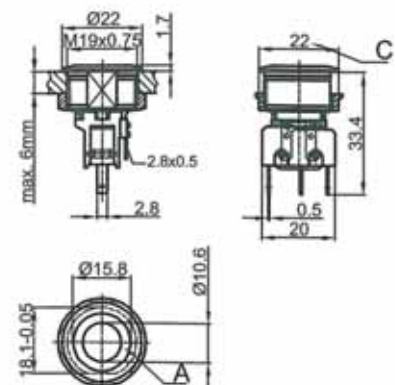
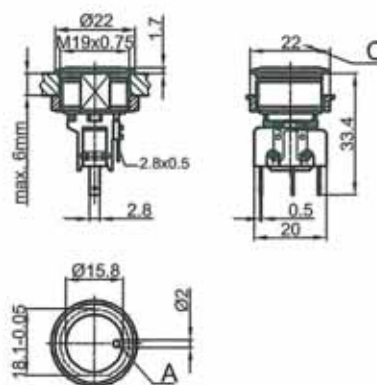
Mounting Diameter	[mm]	19	19
Housing Material		Stainless Steel	Stainless Steel
Actuator Material		Stainless Steel	Stainless Steel
Terminal		Quick Connect Terminal	Quick Connect Terminal
Illumination		Point Illumination	Ring Illumination
Accessories		All switches are supplied with nut and o-ring seal.	

Order Number

Electrical Rating, Colour of Illumination	MSM 19 PI	MSM 19 RI
0.1A / 30 VDC, red	1241.6623.1111000	1241.6624.1111000
0.1A / 30 VDC, green	1241.6623.1112000	1241.6624.1112000
5A / 125VAC, 3A / 250VAC, red	1241.6623.1121000	1241.6624.1121000
5A / 125VAC, 3A / 250VAC, green	1241.6623.1122000	1241.6624.1122000
5A / 125VAC, 3A / 250VAC, blue	1241.6623.1124000	1241.6624.1124000
10A / 250VAC, red	1241.6623.1131000	1241.6624.1131000
10A / 250VAC, green	1241.6623.1132000	1241.6624.1132000

Drawing

A Illumination Area
B Actuation Area
C Width Across Flats
D Knurled Nut



METAL LINE SWITCHES

In addition to the standard types, additional versions as well as laser lettering are available on request.



MSM 22



MSM 22 PI



MSM 22 RI

Characteristics

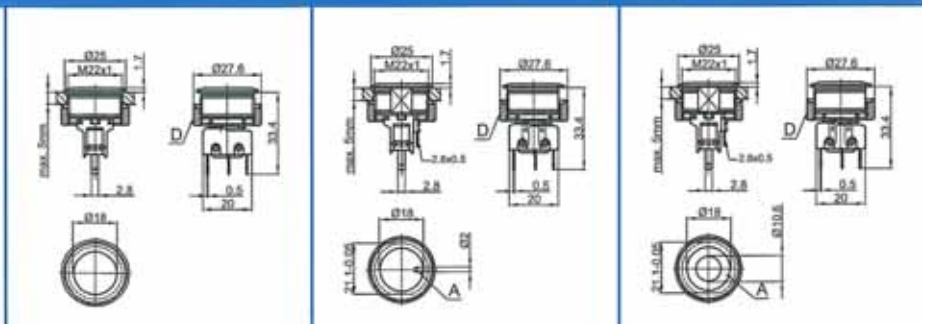
Mounting Diameter	[mm]	22	22	22
Housing Material		Stainless Steel	Stainless Steel	Stainless Steel
Actuator Material		Stainless Steel	Stainless Steel	Stainless Steel
Terminal		Quick Connect Terminal	Quick Connect Terminal	Quick Connect Terminal
Illumination		non-illuminated	Point Illumination	Ring Illumination
Accessories		All switches are supplied with nut and o-ring seal.		

Order Number

Electrical Rating, Colour of Illumination	MSM 22	MSM 22 PI	MSM 22 RI
0.1A / 30 VDC	1241.6631.1110000		
5A / 125VAC, 3A / 250VAC	1241.6631.1120000		
10A / 250VAC	1241.6631.1130000		
0.1A / 30 VDC, red		1241.6633.1111000	1241.6634.1111000
0.1A / 30 VDC, green		1241.6633.1112000	1241.6634.1112000
5A / 125VAC, 3A / 250VAC, red		1241.6633.1121000	1241.6634.1121000
5A / 125VAC, 3A / 250VAC, green		1241.6633.1122000	1241.6634.1122000
5A / 125VAC, 3A / 250VAC, blue		1241.6633.1124000	1241.6634.1124000
10A / 250VAC, red		1241.6633.1131000	1241.6634.1131000
10A / 250VAC, green		1241.6633.1132000	1241.6634.1132000

Drawing

A Illumination Area
B Actuation Area
C Width Across Flats
D Knurled Nut



METAL LINE SWITCHES

In addition to the standard types, additional versions as well as laser lettering are available on request.



MSM 30



MSM 30 PI



MSM 30 RI

Characteristics

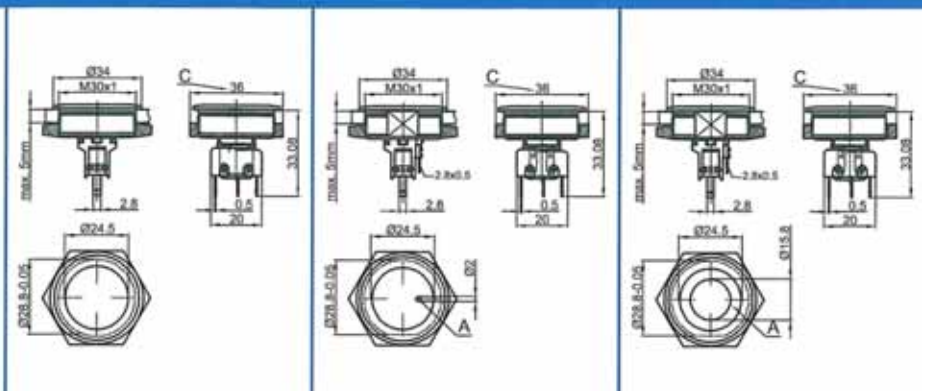
Mounting Diameter [mm]	30	30	30
Housing Material	Stainless Steel	Stainless Steel	Stainless Steel
Actuator Material	Stainless Steel	Stainless Steel	Stainless Steel
Terminal	Quick Connect Terminal	Quick Connect Terminal	Quick Connect Terminal
Illumination	non-illuminated	Point Illumination	Ring Illumination
Accessories	All switches are supplied with nut and o-ring seal.		

Order Number

Electrical Rating, Colour of Illumination	MSM 30	MSM 30 PI	MSM 30 RI
0.1A / 30 VDC	1241.6661.1110000		
5A / 125VAC, 3A / 250VAC	1241.6661.1120000		
10A / 250VAC	1241.6661.1130000		
0.1A / 30 VDC, red		1241.6663.1111000	1241.6664.1111000
0.1A / 30 VDC, green		1241.6663.1112000	1241.6664.1112000
5A / 125VAC, 3A / 250VAC, red		1241.6663.1121000	1241.6664.1121000
5A / 125VAC, 3A / 250VAC, green		1241.6663.1122000	1241.6664.1122000
10A / 250VAC, red		1241.6663.1131000	1241.6664.1131000
10A / 250VAC, green		1241.6663.1132000	1241.6664.1132000

Drawing

A Illumination Area
B Actuation Area
C Width Across Flats
D Knurled Nut



PIEZO TOUCH VANDAL PROOF SWITCHES



The Piezo Metal Line Switch range is the optimum choice in vandal proof switching. With no moving parts, each switch will last a life time, and more. The range offers hugely diverse options, allowing your choice of switch to be used anywhere.



FEATURES

- Long lifetime and absolute reliability
- Ideal for use in rough environments
- Resistant anodised aluminium with light fastness factor of 8
- Sea-water resistant
- Tested according to MIL standards
- No maintenance costs, because no mechanical wear parts
- Wide range of materials, colours, shapes and illumination

Type	PSE Standard NO
Electrical Data	
Switching Voltage max. [VAC/DC]	42 / 60
Switching Current max. [mA]	100
Breaking Capacity max. [W]	1
Lifetime (at Rated Breaking Capacity) [mill.]	20
Insulation Resistance (OFF = not actuated) [MΩ]	> 10
Initial Contact Resistance (ON = actuated) [Ω]	< 20
Capacity [pF]	30
N.O. Closing Impulse Duration (depending on actuating force, time, speed) [ms]	20 - 1000
Contact Configuration	free polarity
Supply Voltage Ring Illumination [VDC]	24
LED Data Point Illumination	see page 39
Switching Function	N.O.
Mechanical Data	
Actuating Force [N]	1 - 3
Actuating Travel [mm]	0.002
Starting Torque [Nm]	2.5
IK Protection Class (Shock Protection) [IK]	IK 02
Climatical Data	
Operating Temperature [°C]	-20 to +60
Storage Temperature [°C]	-20 to +60
IP Protection Class [IP]	IP 67

METAL LINE SWITCHES

In addition to the standard types, additional versions as well as laser lettering are available on request.



PSE M 16 Plastics



PSE M 16 Alu./Stainless Steel

Characteristics

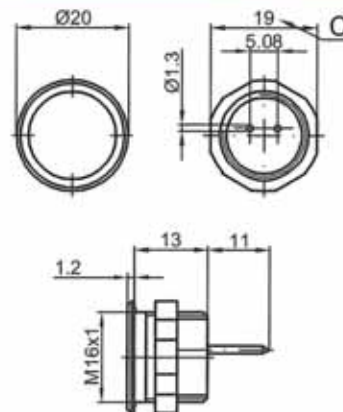
Mounting Diameter	[mm]	16	16
Type		PSE Standard NO	PSE Standard NO
Housing Material		Plastics	Alu. anodised / Stainless Steel
Illumination		non-illuminated	non-illuminated
Terminal		Pins	Pins
Accessories		All switches are supplied with nut and o-ring seal.	

Order Number

Colour of Housing		
Alu natural	1241.2352	1241.2411.8
red	1241.2350	1241.2411.3
green		1241.2411.5
blue		1241.2411.4
black	1241.2353	1241.2411.7
gold		1241.2411.1
Stainless Steel		1241.2611

Drawing

A Illumination Area
B Actuating Area
C Width Across Flats



METAL LINE SWITCHES

In addition to the standard types, additional versions as well as laser lettering are available on request.



PSE M 16 Faston



Indicator M 16

Characteristics

Mounting Diameter	[mm]	16	16
Type		PSE Standard NO	
Housing Material		Alu. anodised	Alu. anodised
Illumination		non-illuminated	Point Illumination
Terminal		Quick Connect Terminal	Quick Connect Terminal
Accessories		All switches are supplied with nut and o-ring seal.	

Order Number

Colour of Housing, Colour of Illumination		
Alu natural	1241.3003	
red	1241.3000	
green	1241.3001	
black	1241.3002	
Alu natural, red		1241.3033
Alu natural, green		1241.3034
Alu natural, yellow		1241.3035
red, red		1241.3036
green, green		1241.3037
gold, yellow		1241.3038

Drawing

<p>A Illumination Area B Actuating Area C Width Across Flats</p>		
--	--	--

METAL LINE SWITCHES

In addition to the standard types, additional versions as well as laser lettering are available on request.



PSE M 19



PSE M 22

Characteristics

Mounting Diameter	[mm]	19	22
Type		PSE Standard NO	PSE Standard NO
Housing Material		Alu. anodised	Alu. anodised
Illumination		non-illuminated	non-illuminated
Terminal		Pins	Pins
Accessories		All switches are supplied with nut and o-ring seal.	

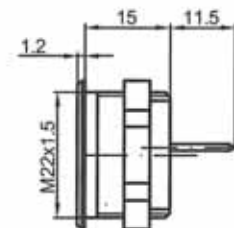
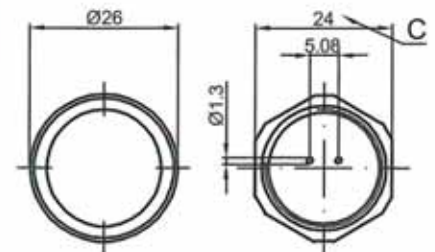
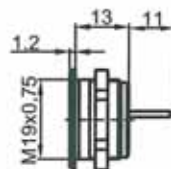
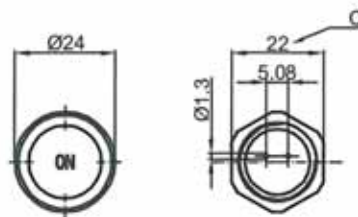
Order Number

Colour of Housing

Alu natural	1241.3123	1241.3008
red		1241.3005
green		1241.3006
black		1241.3007

Drawing

A Illumination Area
B Actuating Area
C Width Across Flats

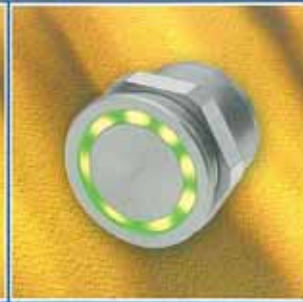


METAL LINE SWITCHES

In addition to the standard types, additional versions as well as laser lettering are available on request.



PSE M 22 PI



PSE M 22 RI



PSE M 24 RI

Characteristics

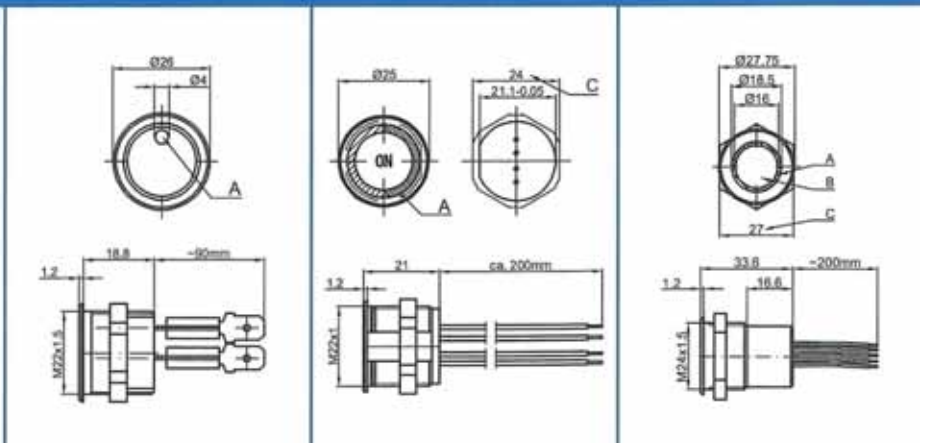
Mounting Diameter	[mm]	22	22	24
Type		PSE Standard NO	PSE Standard NO	PSE Standard NO
Housing Material		Alu. anodised	Alu. anodised	Alu. anodised
Illumination		Point Illumination	Ring Illumination	Ring Illumination
Terminal		Quick Connect Terminal	Wire	Wire
Accessories		All switches are supplied with nut and o-ring seal.		

Order Number

Colour of Housing, Colour of Illumination			
Alu natural, red	1241.3020	1241.3256	
Alu natural, green	1241.3089	1241.3257	
Alu natural, yellow	1241.3047		
Alu natural, blue	1241.3244		
Alu natural, red / green		1241.3258	1241.3010
red, red	1241.3166		
green, green	1241.3167		
gold, yellow	1241.3222		

Drawing

A Illumination Area
B Actuating Area
C Width Across Flats



METAL LINE SWITCHES

In addition to the standard types, additional versions as well as laser lettering are available on request.



PSE M 27 RI



PSE M 30 RI

Characteristics

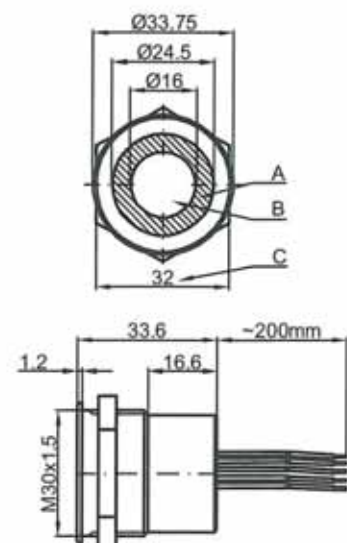
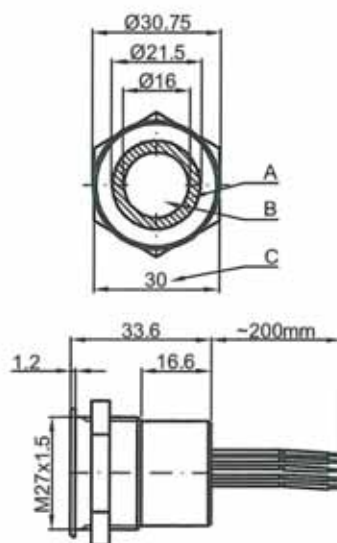
Mounting Diameter	[mm]	27	30
Type		PSE Standard NO	PSE Standard NO
Housing Material		Alu. anodised	Alu. anodised / Stainless Steel
Illumination		Ring Illumination	Ring Illumination
Terminal		Wire	Wire
Accessories		All switches are supplied with nut and o-ring seal.	

Order Number

Colour of Housing, Colour of Illumination		
Alu natural, blue		1241.3189
Alu natural, red / green	1241.3011	1241.3012
Stainless Steel, blue		1241.3237

Drawing

A Illumination Area
B Actuating Area
C Width Across Flats



METAL LINE SWITCHES



FEATURES

- EX for use in explosive environment
- IV for longer duration of actuation signal
- ET for extended temperature range
- HI with enhanced vandalism protection
- Piezo switches with tactile feedback
- Piezo switches with stroke

Type		PSE EX-Version	PSE Prolonged Signal IV	PSE Extended Temperature Range ET	PSE High Impact HI	PSE with Tactile Feedback	PSE with Stroke
Electrical Data							
Switching Voltage max.	[VAC/DC]	24 / 24	42 / 60	50	42 / 60	42 / 60	42 / 60
Switching Current max.	[mA]	40	2.6	150	100	100	100
Breaking Capacity max.	[W]	0.96	15.6	0.4	1	1	1
Lifetime (at Rated Breaking Capacity)	[mill.]	20	20	10	20	1	1
Insulation Resistance (OFF = not actuated)	[MΩ]	> 10	> 10	> 5	> 10	> 10	> 10
Initial Contact Resistance (ON = actuated)	[Ω]	< 20	< 5	< 7.5	< 20	< 20	< 20
Capacity	[pF]	30	30	25	30	30	30
N.O. Closing Impulse Duration (depending on actuating force, time, speed)	[ms]	20 - 1000	20 - 50.000	min. 40	20 - 1000	20 - 1000	20 - 1000
Contact Configuration		free polarity	free polarity	poled	free polarity	free polarity	free polarity
Switching Function		N.O.	N.O.	N.O.	N.O.	N.O.	N.O.
Mechanical Data							
Actuating Force	[N]	1 - 3	1 - 3	1 - 3	1.5 - 3	3.8	4.25
Actuating Travel	[mm]	0.002	0.002	0.002	0.002	0.7	2
Starting Torque	[Nm]	2.5	2.5	2.5	2.5	2.5	2.5
IK Protection Class (Shock Protection)	[IK]	IK 02	IK 02	IK 02	IK 06	IK 02	IK 02
Climatical Data							
Operating Temperature	[°C]	-20 to +60	-20 to +60	-40 to +85	-20 to +60	-20 to +60	-20 to +60
Storage Temperature	[°C]	-20 to +60	-20 to +60	-40 to +85	-20 to +60	-20 to +60	-20 to +60
IP Protection Class	[IP]	IP 67	IP 67	IP 67	IP 67	IP 67	IP 67

METAL LINE SWITCHES

In addition to the standard types, additional versions as well as laser lettering are available on request.



PSE M 16 EX



PSE M 16
Prolonged Signal



PSE M 22
Temperature Comp.

Characteristics

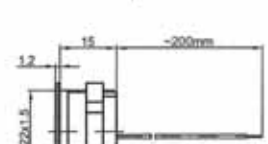
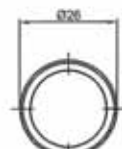
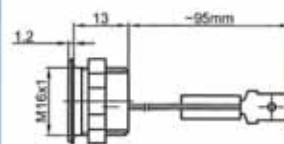
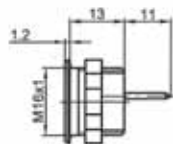
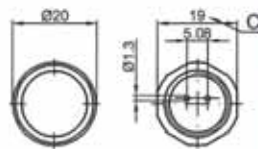
Mounting Diameter [mm]	16	16	22
Type	PSE EX	PSE IV	PSE IV
Housing Material	Alu. anodised	Alu. anodised	Alu. anodised
Illumination	non-illuminated	non-illuminated	non-illuminated
Terminal	Pins	Quick Connect Terminal	Wire
Accessories	All switches are supplied with nut and o-ring seal.		

Order Number

Colour of Housing			
Alu natural	1241.2415.8	1241.2434.8	1241.3998
red	1241.2415.3	1241.2434.3	
green	1241.2415.5	1241.2434.5	
blue	1241.2415.4	1241.2434.4	
black	1241.2415.7	1241.2434.7	
gold	1241.2415.1	1241.2434.1	

Drawing

A Illumination Area
B Actuating Area
C Width Across Flats



METAL LINE SWITCHES

In addition to the standard types, additional versions as well as laser lettering are available on request.



PSE M 19
Ext. Temp.



PSE M 27
High Impact



PSE M 16 with
Tactile Feedback



PSE M 27
with Stroke

Characteristics

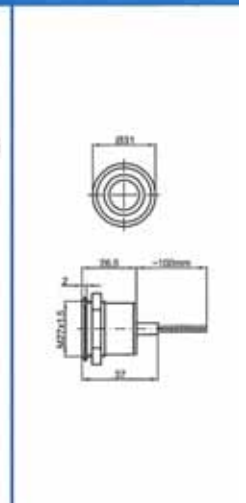
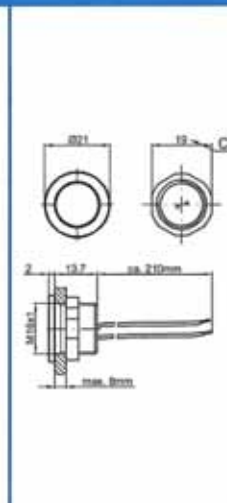
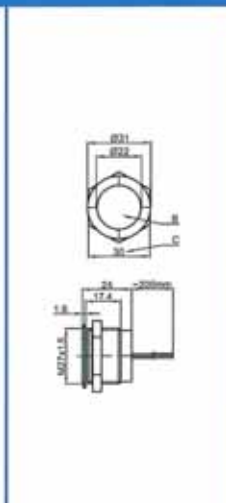
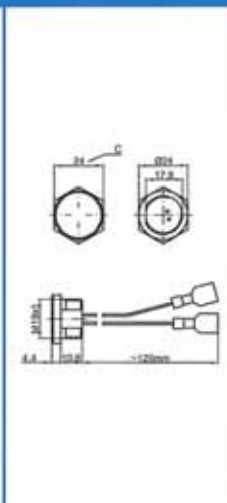
Mounting Diameter [mm]	19	27	16	27
Type	PSE ET	PSE HI	PSE with Tactile Feedback	PSE with Stroke
Housing Material	Alu. anodised	Stainless Steel	Alu. anodised	Alu. anodised
Illumination	non-illuminated	non-illuminated	non-illuminated	non-illuminated
Terminal	Quick Connect Terminal	Wire	Wire	Wire
Accessories	All switches are supplied with nut and o-ring seal.			

Order Number

Colour of Housing	19	27	16	27
Alu natural	1241.5003		1241.5200.8.093	1241.2625.8
red				1241.2625.3
green				1241.2625.5
blue				1241.2625.4
black				1241.2625.7
gold				1241.2625.1
Stainless Steel		1241.3994		

Drawing

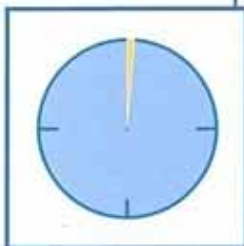
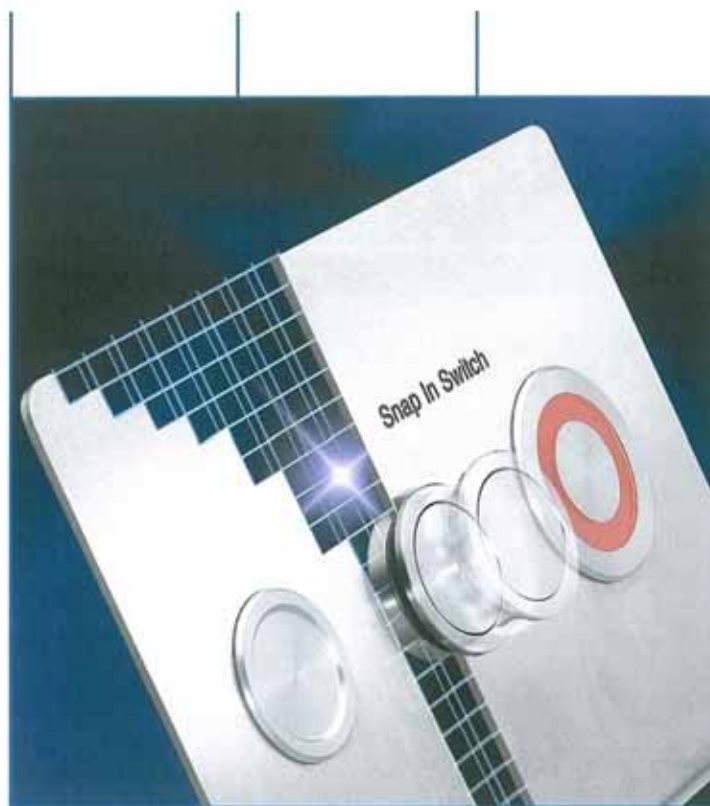
A Illumination Area
B Actuating Area
C Width Across Flats



SNAP-IN SWITCH

The advantage of the switches with snap-in mounting is the assembly from the front side without additional fastening from the rear side. Due to this method of

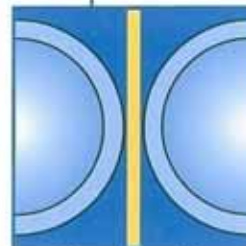
mounting, the switches can be used in applications where the access to the rear side of the housing is not possible.



Quick Assembly



Without Tools



Close Assembly



Short Mounting Depth

METAL LINE SWITCHES



FEATURES

- Quick assembly with no additional fastening
- For assembly with no access to rear side of equipment
- Assembly without tools
- Short mounting depth
- Reduced assembly costs

Characteristics

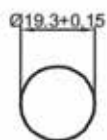
Mounting Diameter	[mm]	19; 22; 24; 27; 30
Front Panel Thickness	[mm]	1.5; 2.0; 2.5; 3.0
Assembly Force	[N]	50 - 100
Drilling Tolerance	[mm]	max. 0.15 / Drilling edges free of burrs
Torsion Protection		without Torsion Protection; If the switch is assembled in right direction, lettered switches could be used.

Switch Type

Mounting Diameter [mm]	Ø 19	Ø 22	Ø 24	Ø 27	Ø 30
MSM		X			X
MSM Lettered		X			X
MSM Point Illuminated		X			X
MSM Ring Illuminated		X			X
MCS 30 Ring Illuminated					X
PSE	X	X			
PSE Ring Illuminated			X	X	X

Drawing

Mounting Diameter 19 mm



Mounting Diameter 22 mm



Mounting Diameter 24 mm



Mounting Diameter 27 mm



Mounting Diameter 30 mm



OTHER PRODUCTS AVAILABLE

switches & circuit breakers



IEC mains connections



fuses & fuseholders



main filters



buzzers & speakers



relays



mounting hardware



terminals



data connectors



reed, pressure & tilt switches



ARLIN

28 Commercial Drive Thomastown Vic 3074

PHONE: 1300 362 191 FAX: 03 9465 5088