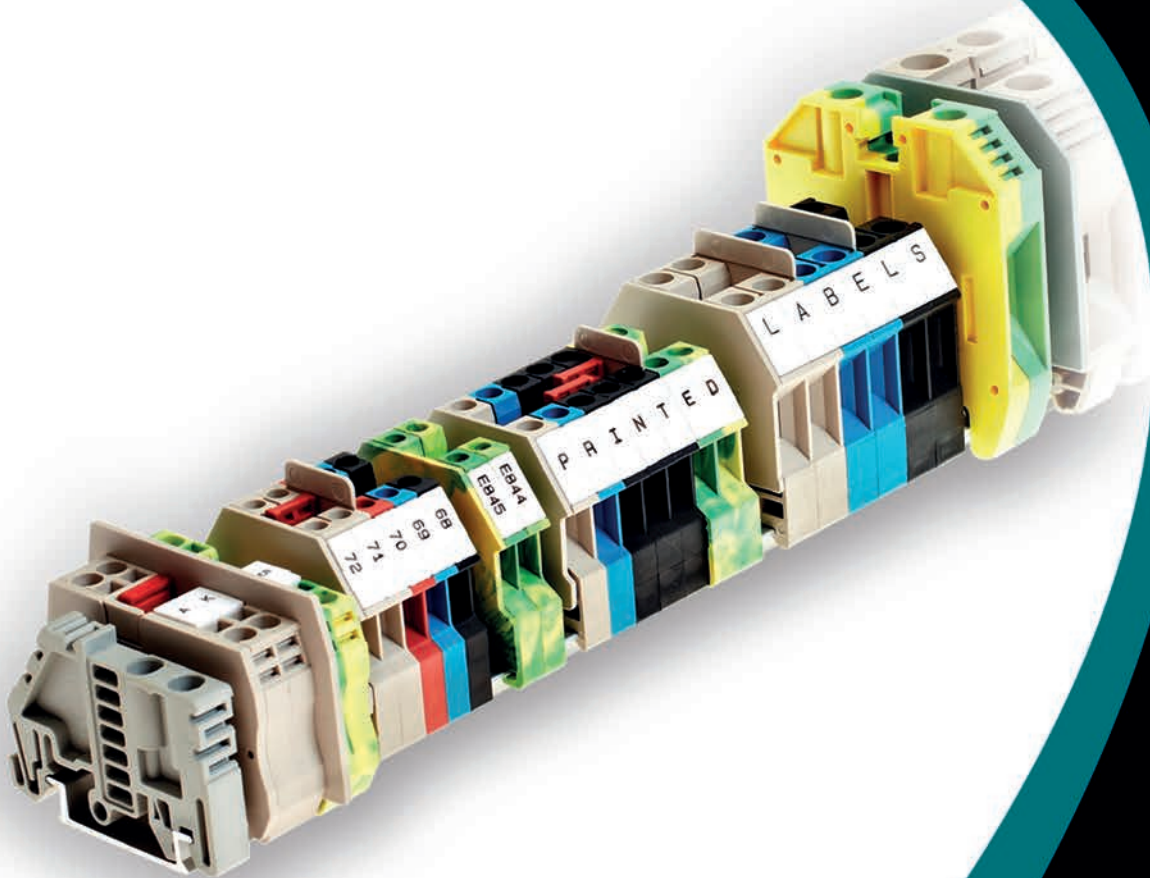


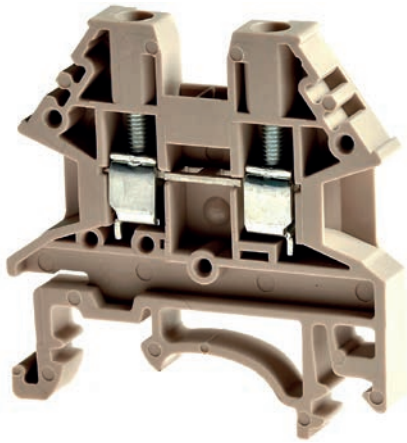


**arlin**  
components & hardware



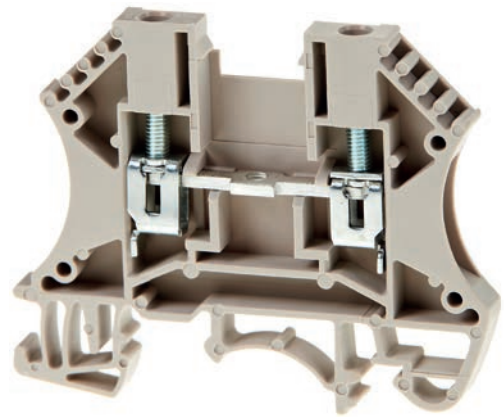
# DIN RAIL TERMINALS

## DKN SERIES COMPACT



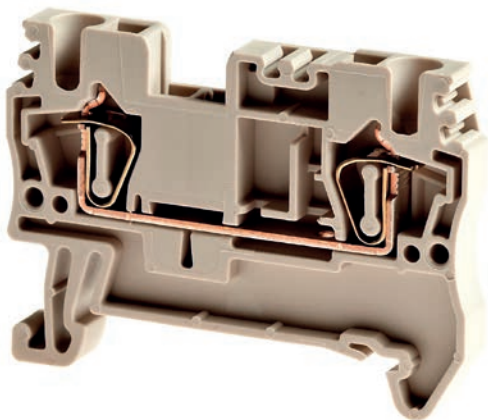
- Compact screw terminal
- 2.5 – 35 mm sizes
- Coloured and Earth terminals

## DK SERIES STANDARD



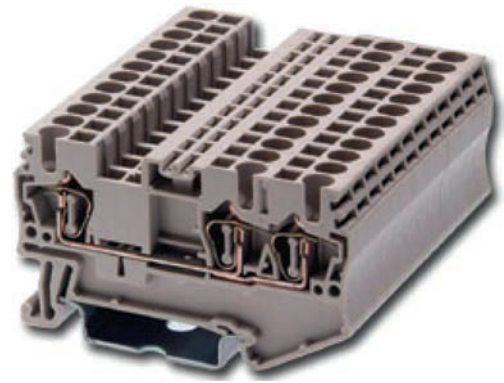
- Standard wide-body terminal
- 2.5 – 35 mm sizes
- Earth terminals

## AK SERIES SCREWLESS



- Screwless cage-clamp terminal
- Vibration proof
- 2.5 – 35 mm sizes

## AK VARIATIONS



- 3-way screwless terminal
- Vibration proof
- 2.5 mm size

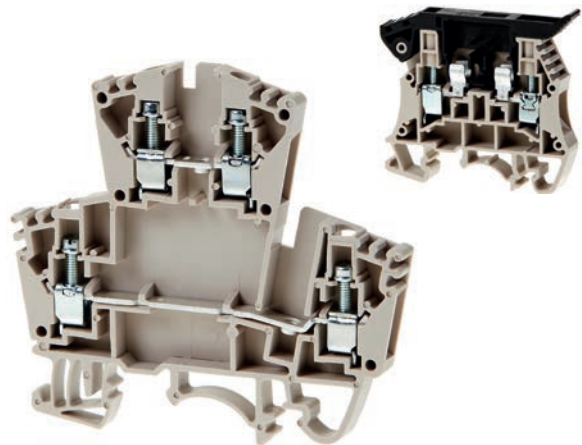
## DK LARGE SERIES

HIGH CURRENT



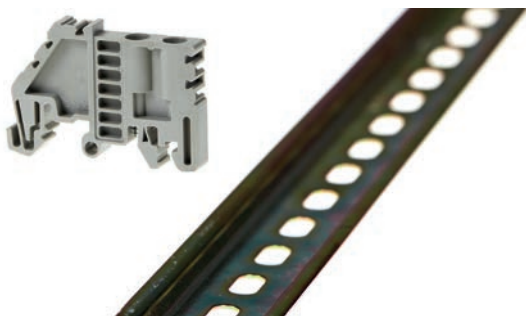
- Large screw terminals
- 50 – 240 mm sizes

## DK VARIATIONS



- Dual circuit terminals
- Fused / fuseholder terminal

## DIN RAIL ACCESSORIES



- DIN rail
- End stop clamps
- Cord-end ferrules

## CUSTOM LABELS



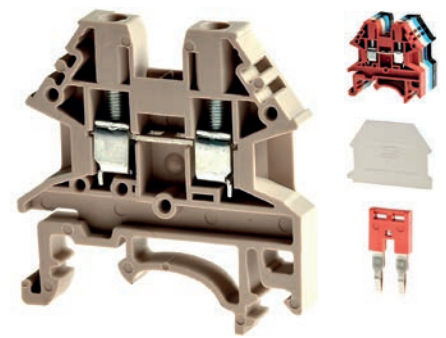
- Labels custom printed
- 1 – 5 characters per label
- Buy per project
- Blanks available

# COMPACT Terminal

The DK-N series is amongst the most compact DIN rail terminals on the market. A rising cage screw-clamp within the terminal provides a long lasting screw connection for any cable of 0.5 - 35 mm<sup>2</sup> (for larger terminals see separate DK series).

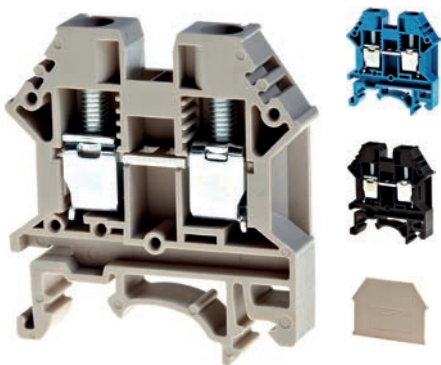
- 2.5, 4, 6, 10, 16, 35 mm
- All accessories available
- Earth terminals and coloured terminals available
- Suitable for solid conductor, stranded cable, and boot-lace ferrules

## DK2.5N



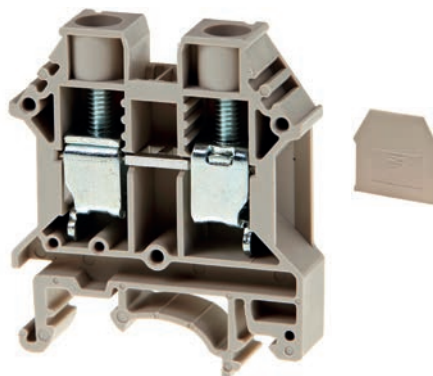
Specifications	
Rated Voltage	1000 V
Rated Current	24 A
Cable size	0.5 ~ 2.5 mm <sup>2</sup>
Wire Strip Length	9 ~ 11 mm
Size (H x W x T)	39.6 x 40.5 x 5.1
Optional Colour	Part Number
● Red	DK2.5N-RD
● Blue	DK2.5N-BL
● Black	DK2.5N-BK
Accessories	
End cover plate	DK4NC
Bridge-link 2 way	DSS2.5N-02P
Bridge-link 3 way	DSS2.5N-03P
Marking label	TM26

## DK6N



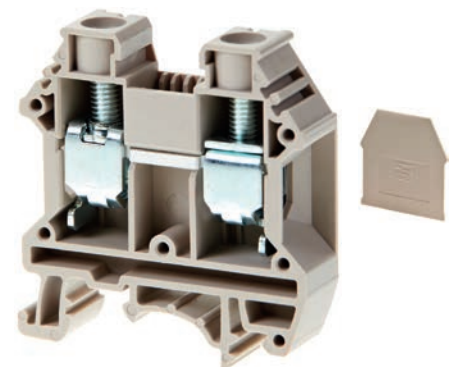
Specifications	
Rated Voltage	1000 V
Rated Current	41 A
Cable size	0.5 ~ 6 mm <sup>2</sup>
Wire Strip Length	12 ~ 14 mm
Size (H x W x T)	45 x 41.7 x 8
Optional Colour	Part Number
● Blue	DK6N-BL
● Black	DK6N-BK
Accessories	
End cover plate	DK6NC
Marking label	TM28

## DK10N



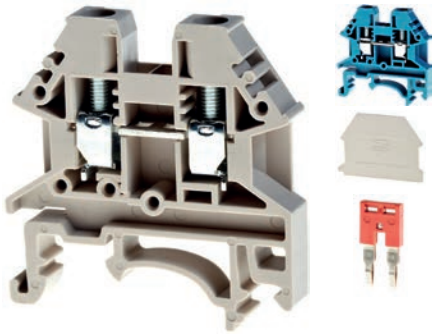
Specifications	
Rated Voltage	1000 V
Rated Current	57 A
Cable size	0.5 ~ 10 mm <sup>2</sup>
Wire Strip Length	12 ~ 14 mm
Size (H x W x T)	48 x 42.9 x 10
Accessories	
End cover plate	DK10NC
Marking label	TM28

## DK16N



Specifications	
Rated Voltage	1000 V
Rated Current	76 A
Cable size	1.5 ~ 16 mm <sup>2</sup>
Wire Strip Length	14 ~ 16 mm
Size (H x W x T)	50 x 48.3 x 12
Accessories	
End cover plate	DK16NC
Marking label	TM28

## DK4N



### Specifications

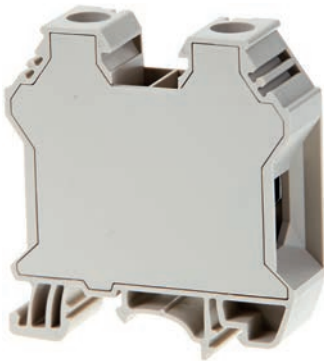
Rated Voltage	1000 V
Rated Current	32 A
Cable size	0.5 ~ 4 mm <sup>2</sup>
Wire Strip Length	9 ~ 11 mm
Size (H x W x T)	39.6 x 40.5 x 6.1

● Red	DK4N-RD
● Blue	DK4N-BL
● Black	DK4N-BK
● Orange	DK4N-OR

### Accessories

End cover plate	DK4NC
Bridge-link 2 way	DSS4N-02P
Bridge-link 3 way	DSS4N-03P
Marking label	TM27

## DK35N



### Specifications

Rated Voltage	1000 V
Rated Current	125 A
Cable size	1.5 ~ 35 mm <sup>2</sup>
Wire Strip Length	14 ~ 16 mm
Size (H x W x T)	59 x 55.4 x 16

### Accessories

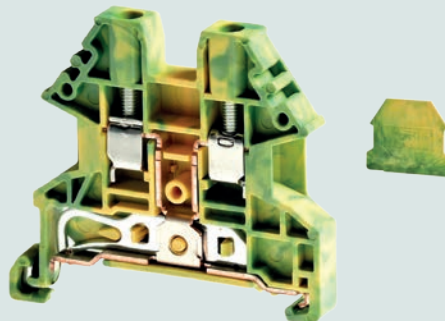
Marking label	TM28
---------------	------

# COMPACT Earth Terminal

The DKN-PE series is amongst the most compact DIN rail Earth grounding terminals on the market. For efficiency in installation, the terminal 'snaps' onto the rail, with no centre screw to have to tighten.

- 2.5, 4, 10, 16, 35 mm
- End plates available
- Earth terminals Suitable for solid conductor, stranded cable, and boot-lace ferrules

## DK2.5N-PE



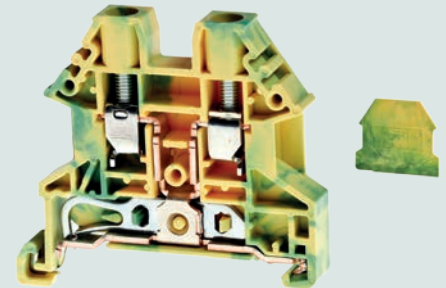
### Specifications

Rated Voltage	630 V
Rated Current	24 A
Cable size	0.5 ~ 2.5 mm <sup>2</sup>
Wire Strip Length	8 ~ 10 mm
Size (H x W x T)	40.7 x 45.4 x 5.1

### Accessories

End cover plate	DK2.5NC-PE
Marking label	TM26

## DK4N-PE



### Specifications

Rated Voltage	630 V
Rated Current	32 A
Cable size	0.5 ~ 4 mm <sup>2</sup>
Wire Strip Length	9 ~ 11 mm
Size (H x W x T)	40.7 x 45.4 x 6.1

### Accessories

End cover plate	DK2.5NC-PE
Marking label	TM27

1300 362 191 

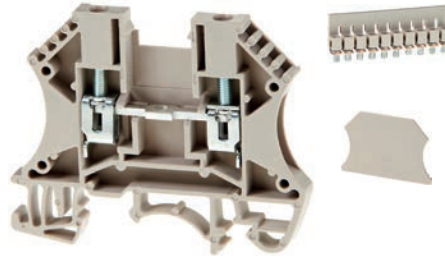
sales@arlin.com.au 

# STANDARD Terminal

DK Series DIN rail screw terminal blocks are designed with a universal foot to fit both TS-35 top-hat and TS-32 G-rail DIN rails, and are widely recognised for their traditional contoured shape.

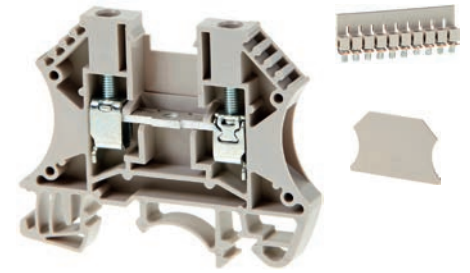
- All sizes available: 2.5 mm to 240 mm
- All accessories available
- Earth terminals available

## DK2.5



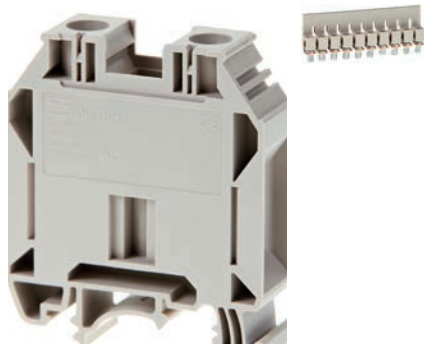
Specifications	
Rated Voltage	630 V
Rated Current	24 A
Cable size	0.5 ~ 2.5 mm <sup>2</sup>
Wire Strip Length	10 ~ 12 mm
Size (H x W x T)	47.6 x 58.9 x 5.1
Accessories	
End cover plate	DK2.5C
Bridge-link 10 way	DS2.5-10P
Marking label	TM26

## DK4



Specifications	
Rated Voltage	630 V
Rated Current	32 A
Cable size	0.5 ~ 4 mm <sup>2</sup>
Wire Strip Length	10 ~ 12 mm
Size (H x W x T)	47.6 x 58.9 x 6.1
Accessories	
End cover plate	DK2.5C
Bridge-link 10 way	DS4-10P
Marking label	TM27

## DK35H



Specifications	
Rated Voltage	1000 V
Rated Current	150 A
Cable size	2.5 ~ 50 mm <sup>2</sup>
Wire Strip Length	16 ~ 18 mm
Size (H x W x T)	61.2 x 52 x 16
Accessories	
Bridge-link 10 way	DS35-10P
Marking label	TM28

# LARGE Terminal

DK Series large DIN rail screw terminal blocks are designed with a universal foot to fit both TS-35 top-hat and TS-32 G-rail DIN rails.

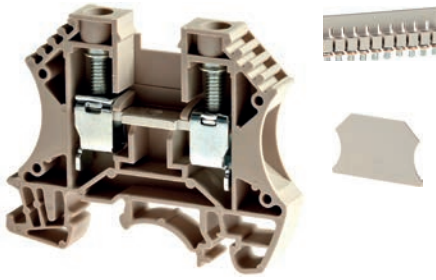
- Sizes: 50 mm to 240 mm

## DK50



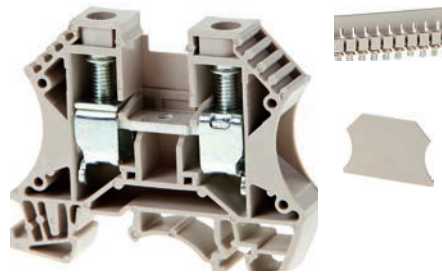
Specifications	
Rated Voltage	1000 V
Rated Current	150 A
Cable size	16 ~ 50 mm <sup>2</sup>
Wire Strip Length	25 ~ 30 mm
Size (H x W x T)	75.8 x 70.5 x 20
Accessories	
Marking label	TM28

## DK6



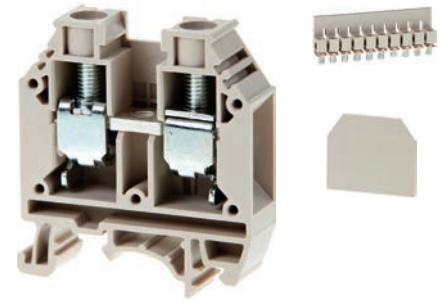
Specifications	
Rated Voltage	500 V
Rated Current	41 A
Cable size	0.5 ~ 6 mm <sup>2</sup>
Wire Strip Length	12 ~ 14mm
Size (H x W x T)	47.6 x 58.9 x 8
Accessories	
End cover plate	DK2.5C
Bridge-link 10 way	DS6-10P
Marking label	TM28

## DK10



Specifications	
Rated Voltage	500 V
Rated Current	57 A
Cable size	1.5 ~ 10 mm <sup>2</sup>
Wire Strip Length	12 ~ 14 mm
Size (H x W x T)	47.6 x 58.9 x 10
Accessories	
End cover plate	DK2.5C
Bridge-link 10 way	DS10-10P
Marking label	TM28

## DK16



Specifications	
Rated Voltage	1000 V
Rated Current	101 A
Cable size	1.5 ~ 25 mm <sup>2</sup>
Wire Strip Length	13 ~ 15 mm
Size (H x W x T)	52.2 x 46.7 x 12
Accessories	
End cover plate	DK16HC
Bridge-link 10 way	DS16-10P
Marking label	TM28

## DK95



Specifications	
Rated Voltage	1000 V
Rated Current	232 A
Cable size	35 ~ 95 mm <sup>2</sup>
Wire Strip Length	30 ~ 35 mm
Size (H x W x T)	88.5 x 80 x 25
Accessories	
Marking label	TM28

## DK150



Specifications	
Rated Voltage	1000 V
Rated Current	309 A
Cable size	35 ~ 150 mm <sup>2</sup>
Wire Strip Length	30 ~ 40 mm
Size (H x W x T)	109 x 93 x 31
Accessories	
Marking label	TM28

## DK240



Specifications	
Rated Voltage	1000 V
Rated Current	415 A
Cable size	95 ~ 240 mm <sup>2</sup>
Wire Strip Length	30 ~ 40 mm
Size (H x W x T)	125 x 93 x 43
Accessories	
Marking label	TM28

# STANDARD

## Earth Terminal

DK-PE Series Earth DIN rail screw terminal blocks are designed with a universal foot to fit both TS-35 top-hat and TS-32 G-rail DIN rails, and are widely recognised for their traditional contoured shape.

- Centre screw-down type
- All sizes available: 2.5 mm to 50 mm
- No end-plate required

### DK2.5-PE



Specifications	
Rated Voltage	630 V
Rated Current	24 A
Cable size	0.5 ~ 2.5 mm <sup>2</sup>
Wire Strip Length	10 ~ 14 mm
Size (H x W x T)	46.4 x 56 x 5.7
Accessories	
Marking label	TM26

### DK10-PE



Specifications	
Rated Voltage	500 V
Rated Current	57 A
Cable size	1.5 ~ 10 mm <sup>2</sup>
Wire Strip Length	12 ~ 16 mm
Size (H x W x T)	46.4 x 56 x 10.4
Accessories	
Marking label	TM28

### DK16-PE



Specifications	
Rated Voltage	1000 V
Rated Current	76 A
Cable size	2.5 ~ 16 mm <sup>2</sup>
Wire Strip Length	14 ~ 18 mm
Size (H x W x T)	62.4 x 56 x 12
Accessories	
Marking label	TM28

### DK35-PE



Specifications	
Rated Voltage	1000 V
Rated Current	125 A
Cable size	4 ~ 35 mm <sup>2</sup>
Wire Strip Length	14 ~ 18 mm
Size (H x W x T)	62.4 x 56 x 16
Accessories	
Marking label	TM28



## DK4-PE



### Specifications

Rated Voltage	630 V
Rated Current	32 A
Cable size	0.5 ~ 4 mm <sup>2</sup>
Wire Strip Length	12~ 16 mm
Size (H x W x T)	46.4 x 56 x 6.6

### Accessories

Marking label	TM27
---------------	------

## DK50-PE



### Specifications

Rated Voltage	1000 V
Rated Current	150 A
Cable size	16 ~ 50 mm <sup>2</sup>
Wire Strip Length	20 ~ 25 mm
Size (H x W x T)	70.3 x 70.5 x 20

### Accessories

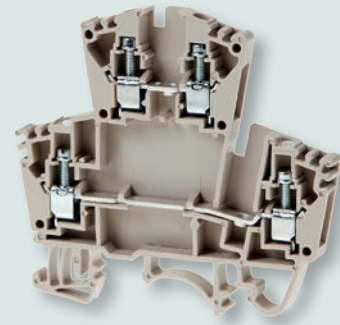
Marking label	TM28
---------------	------

# NON STANDARD Variations

The Arlin range of DIN rail screw terminals come in various format types, including:

- DKK Series - Dual circuit terminal, also known as double decker terminals
- DK4TF - Fused terminal, DIN Rail Fuseholder M205

## DKK2.5



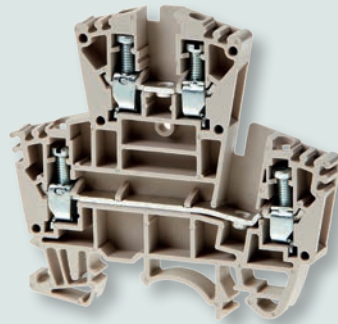
### Specifications

Rated Voltage	400 V
Rated Current	24 A
Cable size	0.5 ~ 2.5 mm <sup>2</sup>
Wire Strip Length	6 mm
Size (H x W x T)	62.8 x 69.4 x 5.1

### Accessories

End cover plate	DKK2.5C
Marking label	TM26

## DKK4



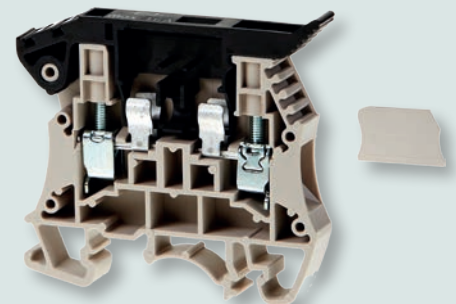
### Specifications

Rated Voltage	400 V
Rated Current	32 A
Cable size	0.5 ~ 4 mm <sup>2</sup>
Wire Strip Length	6 mm
Size (H x W x T)	62.8 x 69.4 x 6.1

### Accessories

End cover plate	DKK2.5C
Marking label	TM26

## DK4-TF



### Specifications

Rated Voltage	300 V
Rated Current	16 A
Cable size	0.5 ~ 4 mm <sup>2</sup>
Wire Strip Length	10 ~ 12 mm
Size (H x W x T)	54.8 x 56 x 8

### Accessories

End cover plate	DK4C-TF
Marking label	TM28

1300 362 191

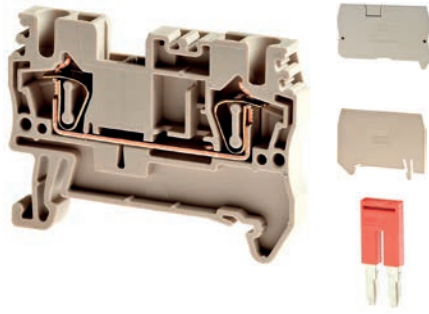
sales@arlin.com.au

# SCREWLESS Terminal

AK Series DIN rail screwless terminal blocks incorporate a cage-clamp, for secure termination without screws. Vibration proof, the AK series removes the need to regularly check and tighten the screws on each terminal.

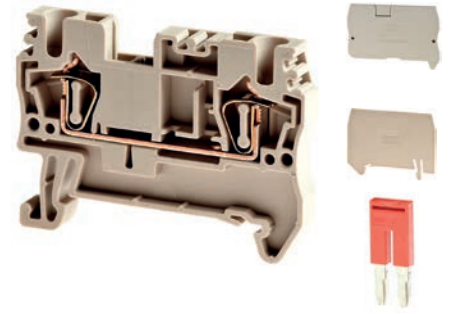
- Sizes available: 2.5 and 4 mm
- All accessories available
- Earth terminals available
- 3-Wire terminal available

## AK2.5



Specifications	
Rated Voltage	800 V
Rated Current	24 A
Cable size	0.5 ~ 2.5 mm <sup>2</sup>
Wire Strip Length	10 mm
Size (H x W x T)	35 x 49 x 5.1
Accessories	
End cover plate	AK2.5C
Bridge-link 2 way	DSD01-2.502
Bridge-link 3 way	DSD01-2.503
Partition	AK4P
Marking label	TM36

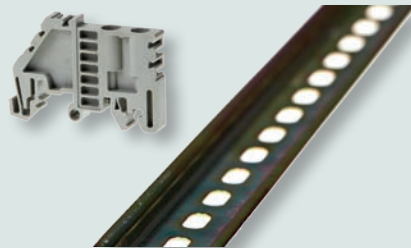
## AK4



Specifications	
Rated Voltage	800 V
Rated Current	32 A
Cable size	0.5 ~ 4 mm <sup>2</sup>
Wire Strip Length	10 mm
Size (H x W x T)	35 x 57 x 6.1
Accessories	
End cover plate	AK4C
Bridge-link 2 way	DSD01-402
Bridge-link 3 way	DSD01-403
Partition	AK4P
Marking label	TM37

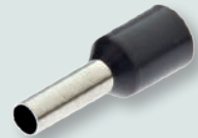
# ACCESSORIES

## RAIL & END STOPS



Part Numbers	
SS2	Standard end stop clamp
SS3	All-metal end stop clamp
AUSR35/7.5S-2M	DIN rail 35 x 7.5 mm – 2mtr length slotted
AUSR35/7.5S-xxx	Custom-cut length slotted DIN rail

## CORD END FERRULES



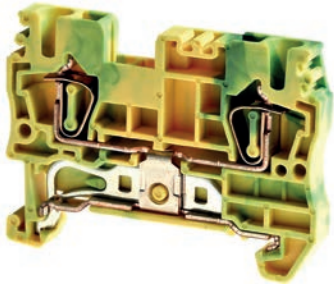
Specifications	
CE0.5	○ 0.5 mm White
CE075	● 0.75 mm Blue
CE010	● 1 mm Red
CE015	● 1.5 mm Black
CE025	● 2.5 mm Grey
CE040	● 4 mm Orange
CE060	● 6 mm Green
CE100	● 10 mm Brown
Twin-Entry	
CE0.5-TE	○ 0.5 mm White
CE075-TE	● 0.75 mm Blue
CE010-TE	● 1 mm Red
CE015-TE	● 1.5 mm Black
CE025-TE	● 2.5 mm Grey
CE040-TE	● 4 mm Orange
CE060-TE	● 6 mm Green
CE100-TE	● 10 mm Brown
Tool	
PHCT-MK	Hand ratchet crimp tool kit

Arlin stocks a full range of DIN Rail lengths, end stop clamps, and cord end ferrules.

DIN Rail can be supplied in batches of pre-cut lengths, to suit each project.

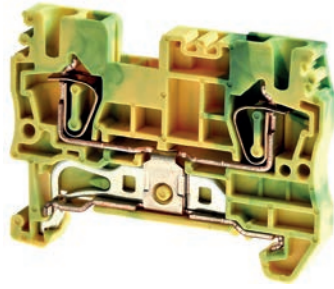
The hand ratchet crimp tool kit suits all the cord end ferrules, as well as ring lugs, copper lugs, and other crimp terminals.

## AK2.5-PE



Specifications	
Rated Voltage	(Pending)
Rated Current	24 A
Cable size	0.5 ~ 2.5 mm <sup>2</sup>
Wire Strip Length	10 mm
Size (H x W x T)	35.5 x 49 x 5.1
Accessories	
End cover plate	AK2.5C-YG
Marking label	TM36

## AK4-PE



Specifications	
Rated Voltage	(Pending)
Rated Current	32 A
Cable size	0.5 ~ 4 mm <sup>2</sup>
Wire Strip Length	10 mm
Size (H x W x T)	35.5 x 57 x 6.1
Accessories	
End cover plate	AK4C-YG
Marking label	TM37

## AK2.5-TN



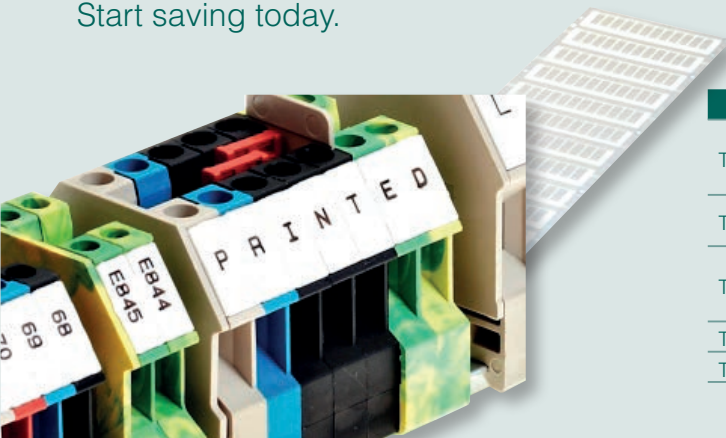
Specifications	
Rated Voltage	800 V
Rated Current	24 A
Cable size	0.5 ~ 2.5 mm <sup>2</sup>
Wire Strip Length	10mm
Size (H x W x T)	35 x 60.8 x 5.1
Accessories	
End cover plate	AK2.5C-TN
Bridge-link 2 way	DSD01-2.502
Bridge-link 3 way	DSD01-2.503
Marking label	TM36

## MARKER Labels

### Tired of fitting 3 or 4 individual character labels separately to each terminal block?

With in-house labeling set up, Arlin now offers fast turnaround of preprinted marker labels for each customer project. Each terminal takes one label, with up to 5 characters preprinted onto the label, according to the customer project requirement. No longer do you have to order a stick or sheet of 1s, a sheet of 2s, a sheet of 3s, etc – now you simply order a sheet of labels in the exact order you need for the row of terminals!

Save costs, and save valuable time – snap on only one label per terminal, or snap on a whole row of labels to a whole row of terminals, all in the time it used to take to label just one terminal. Start saving today.



Label Sheet P/N	Label Size	Labels per Sheet	Suitable Terminals
TM26	5.1 x 12 mm	144	DK2.5N, DK2.5N-PE, DK2.5, DK2.5-PE, DKK2.5
TM27	6.1 x 12 mm	120	DK4N, DK4N-PE, DK4, DK4-PE, DKK4
TM28	8 x 12 mm	84	DK6N ~ DK35N, DK6 ~ DK240, DK6-PE ~ DK50-PE
TM36	5.1 x 10 mm	144	AK2.5, AK2.5-PE
TM37	6.1 x 10 mm	120	AK4, AK4-PE



**arlin**  
components & hardware

---

**FOR MORE INFORMATION**

Technical Sales Support

Phone: 1300 362 191

E-mail: [sales@arlin.com.au](mailto:sales@arlin.com.au)

**BUY ONLINE**

Website: [www.arlin.com.au](http://www.arlin.com.au)