



**Contact Arlin, the innovators and distributors of  
YS™ Data Connection range**



**ARLIN PTY LTD**

**2/1570 Centre Road Springvale VIC 3171**

**Sales Hotline: 1300 362 191**

Int. Tel: +61 3 9465 0011  
Fax: +61 3 9465 5088  
Email: [sales@arlin.com.au](mailto:sales@arlin.com.au)

**[www.arlin.com.au](http://www.arlin.com.au)**



# CONTENTS

	Page		Page
D-SUB SOLDER TYPE	2	IC MACHINED SOCKET (0.100")	26
D-SUB PCB STRAIGHT TYPE	3	HD IC SOCKET 1.778MM (0.700")	27
D-SUB CRIMP TYPE	4	PLCC SOCKET	28
D-SUB IDC TYPE	5	PLCC SMT SOCKET	29
D-SUB HD SOLDER TYPE	6	SIP SOCKET (SCREW PIN) 2.54MM	30
D-SUB HD PCB STRAIGHT TYPE	7	PCB CONNECTOR	31
D-SUB HD CRIMP TYPE	8	DIN41612 B TYPE (2 ROWS)	32
D-SUB RIGHT ANGLE TYPE	9	DIN41612 Q TYPE (2 ROWS)	33
D-SUB HD RIGHT ANGLE TYPE	13	DIN41612 C TYPE (3 ROWS)	34
IDC SOCKET 2.54MM (0.100")	14	DIN41612 R TYPE (3 ROWS)	35
IDC SOCKET 2.0MM (0.079")	15	DIN41612 B/2 TYPE (2 ROWS)	36
PIN HEADER 2.54MM (0.100")	16	DIN41612 Q/2 TYPE (2 ROWS)	37
PIN HEADER 2.0MM (0.079")	17	DIN41612 C/2 TYPE (3 ROWS)	38
PCB SOCKET 2.54MM (0.100")	18	DIN 41612 R/2 TYPE (3 ROWS)	39
PCB SOCKET 2.0MM (0.079")	19	DIN 41612 FLAT CABLE (IDC) C TYPE	40
MINI JUMPER 2.54MM (0.100")	20	D-SUB COVER & HOOD	41
BOX HEADER 2.54MM (0.100")	21	D-SUB COVER	42
BOX HEADER LATCHES 2.54MM	22	PCB CONNECTOR 2.5MM METRIC	43
BOX HEADER 2.0MM (0.079")	23	LOW PROFILE PCB CONNECTOR METRIC	46
DIP PLUG 2.54MM (0.100")	24	RJ SOCKET R/A PCB	48
IC SOCKET 2.54MM (0.100")	25	RJ SOCKET VERTICAL PCB	49

# 100 SERIES

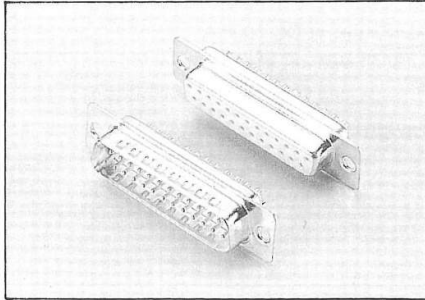
## D-SUB SOLDER TYPE

### Specifications:

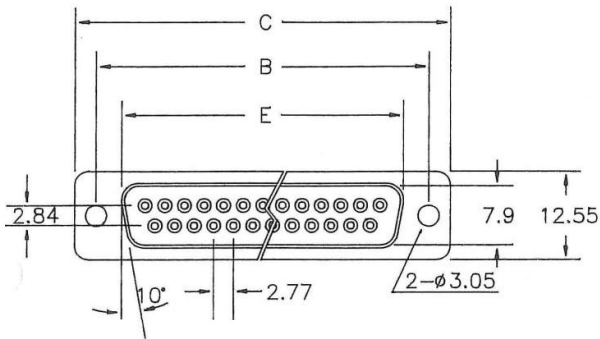
Contact Resistance: 30mΩmax. at DC 100mA  
 Insulator Resistance: 1000MΩmin. at DC 500V  
 Current Rating: 5 AMP

### Dielectric Withstanding

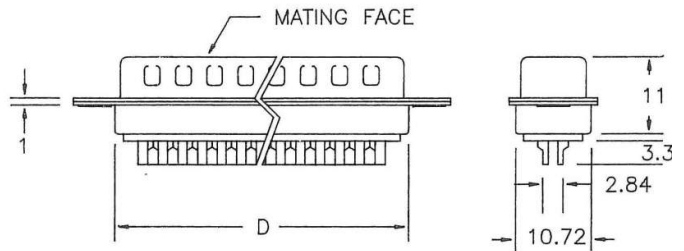
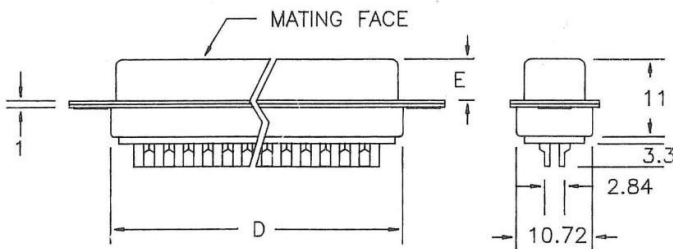
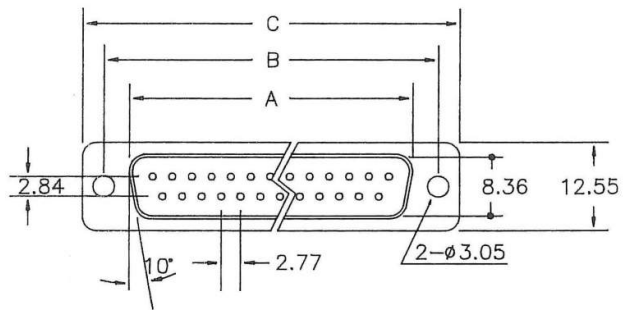
Voltage: AC 1000V For 1 minute  
 Operating Temperature: -55°C~+105°C  
 Contact: Brass or phosphor bronze  
 Housing: PBT & 30% Glass Fiber (UL 94V-0)



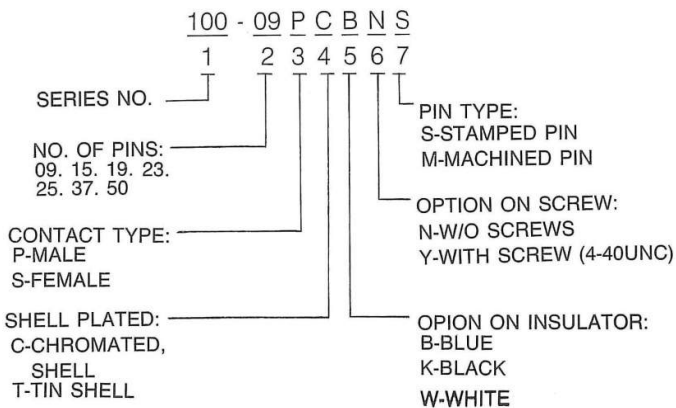
Female



MALE



## How to order



## Dimension

Position	A	B	C	D	E
9	16.92	24.99	30.81	19.28	16.33
15	25.25	33.32	39.14	27.51	24.66
19	32.90	39.03	44.80	33.02	29.92
23	38.50	44.36	50.30	38.15	35.18
25	38.96	47.04	53.04	41.30	38.38
37	55.42	63.50	69.32	57.71	54.84
50	52.86	61.11	66.90	55.30	52.34





# 101 SERIES

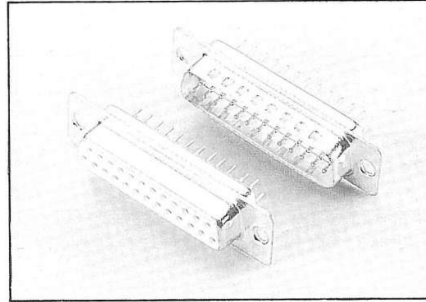
## D-SUB DIP STRAIGHT TYPE

### Specifications:

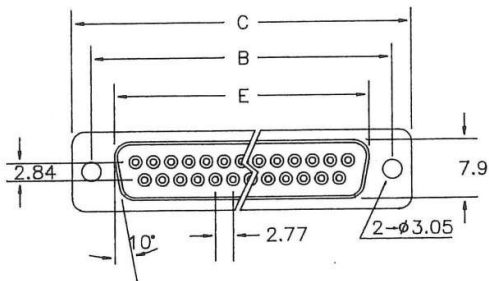
Contact Resistance: 30mΩmax. at DC 100mA  
 Insulator Resistance: 1000MΩmin. at DC 500V  
 Current Rating: 5 AMP

### Dielectric Withstanding

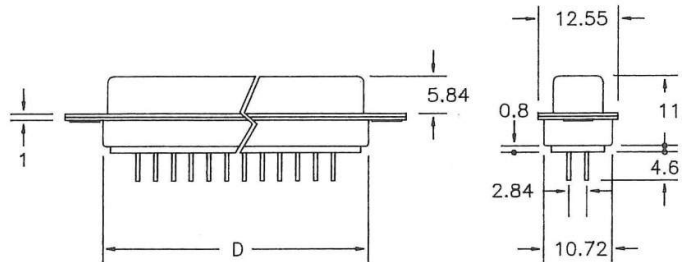
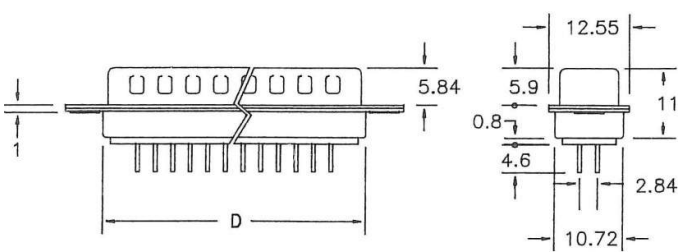
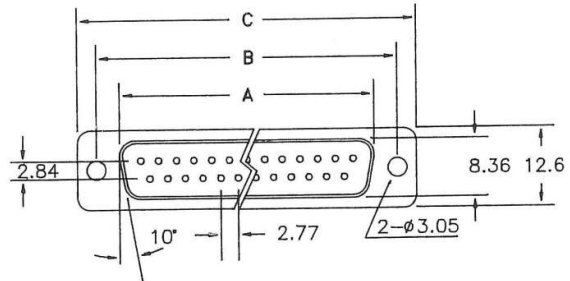
Voltage: AC 1000V For 1 minute  
 Operating Temperature: -55°C~+105°C  
 Contact: Brass or Phosphor Bronze  
 Housing: PBT & 30% Glass Fiber (UL 94V-O)



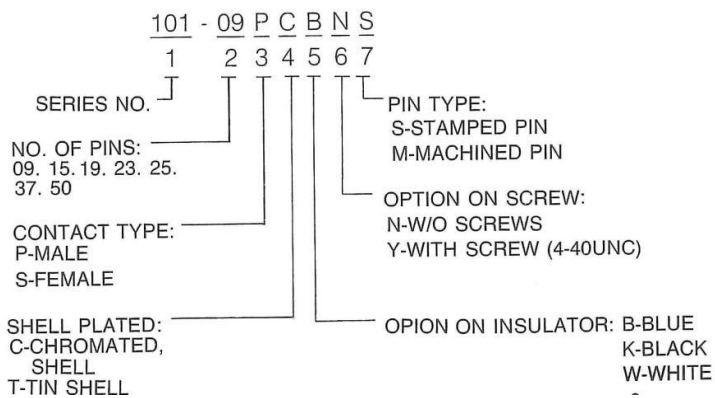
FEMALE



MALE



### How to order



### Dimension

Position	A	B	C	D	E
9	16.92	24.99	30.81	19.28	16.33
15	25.25	33.62	39.14	27.51	24.66
19	32.90	39.03	44.80	33.02	29.92
23	38.50	44.36	50.30	38.15	35.18
25	38.96	47.04	53.04	41.30	38.38
37	55.42	63.50	69.32	57.71	54.84
50	52.86	61.11	66.90	55.30	52.34



# 102 SERIES

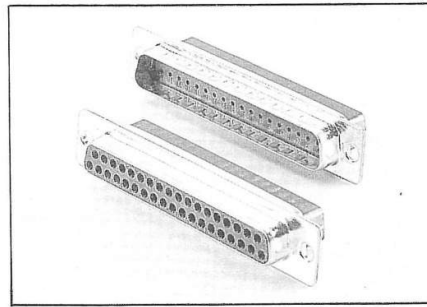
## D-SUB CRIMP TYPE

### Specifications:

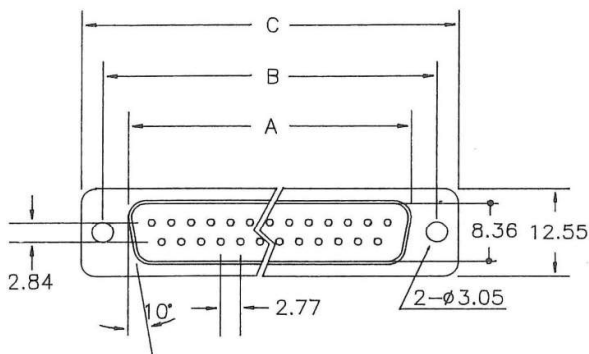
Contact Resistance: 30mΩmax. at DC 100mA  
 Insulator Resistance: 1000MΩmin. at DC 500V  
 Current Rating: 5 AMP

### Dielectric Withstanding

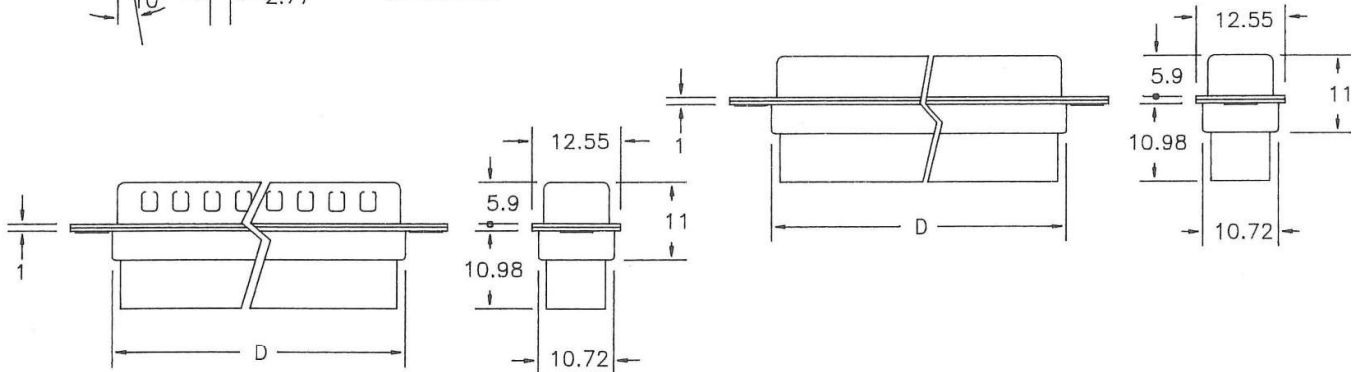
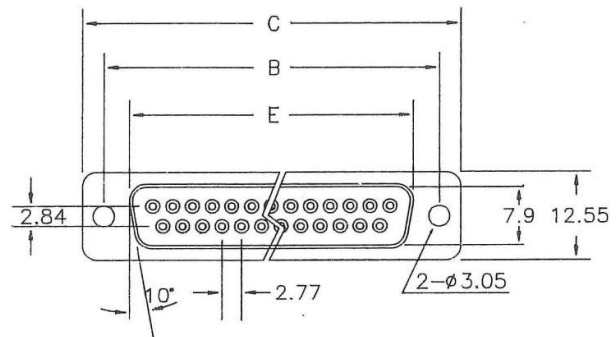
Voltage: AC 1000V For 1 minute  
 Operating Temperature: -55°C~+105°C  
 Contact: Brass or Phosphor Bronze  
 Housing: PBT & 30% Glass Fiber (UL 94V-0)



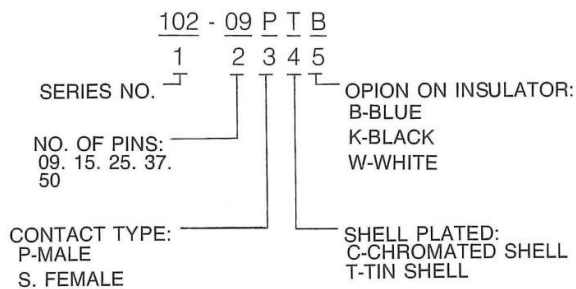
### MALE



### FEMALE



### How to order



### Dimension

Position	A	B	C	D	E
9	16.92	24.99	30.81	19.28	16.33
15	25.25	33.32	39.14	27.51	24.66
25	38.96	47.04	53.04	41.30	38.38
37	55.42	63.50	69.32	57.71	54.84
50	52.86	61.11	66.90	55.30	52.34



# 103 SERIES

## D-SUB I.D.C TYPE

### Specifications:

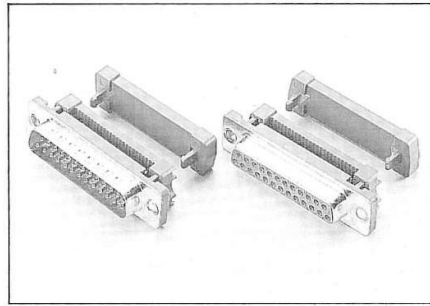
Contact Resistance: 30mΩmax. at DC 100mA  
 Insulator Resistance: 1000MΩmin. at DC 500V  
 Current Rating: 1 AMP

### Dielectric Withstanding

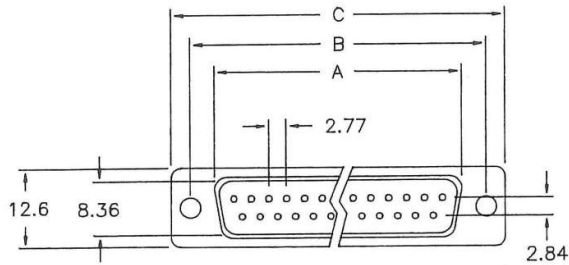
Voltage: AC 500V For 1 minute  
 Operating Temperature: -55°C~+105°C

Contact: MALE Brass  
 FEMALE Phosphor Bronze

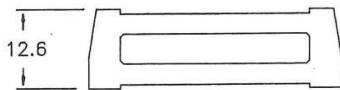
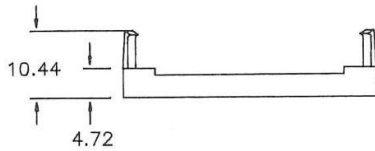
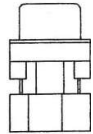
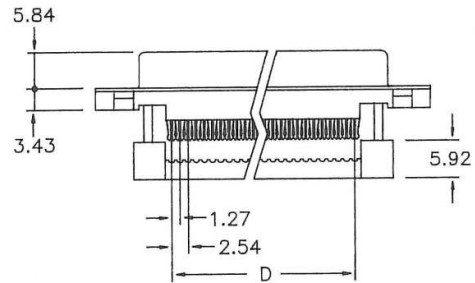
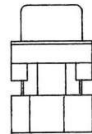
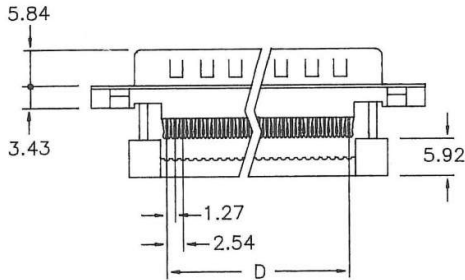
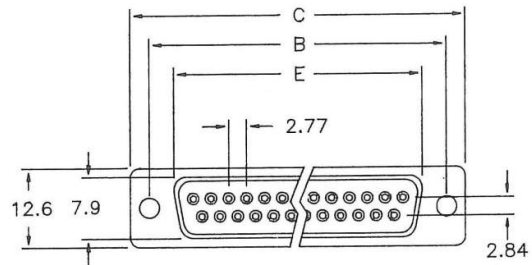
Housing: PBT & 30% Glass Fiber (UL 94V-O)



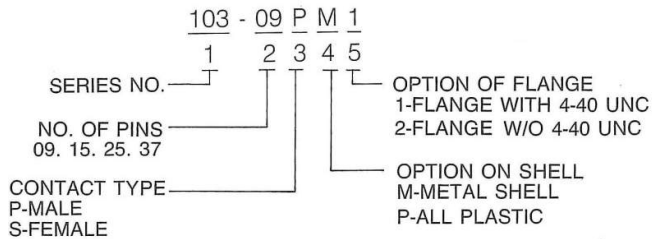
### MALE



### FEMALE



### How to order



### Dimension

Position	A	B	C	D	E
9	16.92	25.00	30.80	10.16	16.30
15	25.25	33.32	39.10	17.78	24.50
25	38.96	47.04	53.10	30.48	38.30
37	55.45	63.50	69.50	45.72	54.80



# 104 SERIES

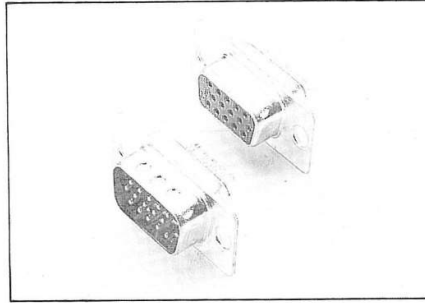
## D-SUB H.D. SOLDER TYPE

### Specifications:

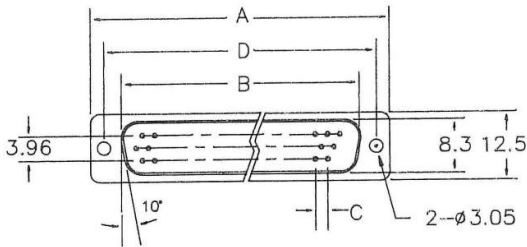
Contact Resistance: 30mΩmax. at DC 100mA  
 Insulator Resistance: 1000MΩmin. at DC 500V  
 Current Rating: 3 AMP

### Dielectric Withstanding

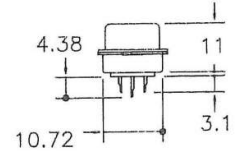
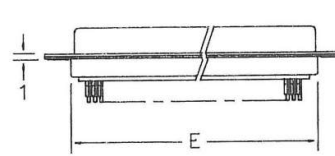
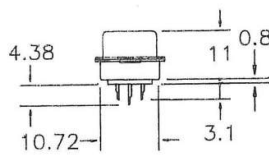
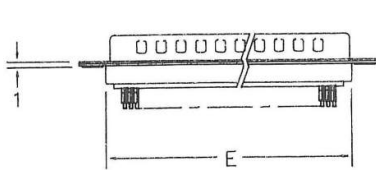
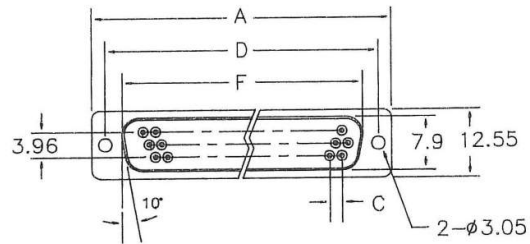
Voltage: AC 1000V For 1 minute  
 Operating Temperature: -55°C~+105°C  
 Contact: Brass or Phosphor Bronze  
 Housing: PBT & 30% Glass Fiber (UL 94V-O)



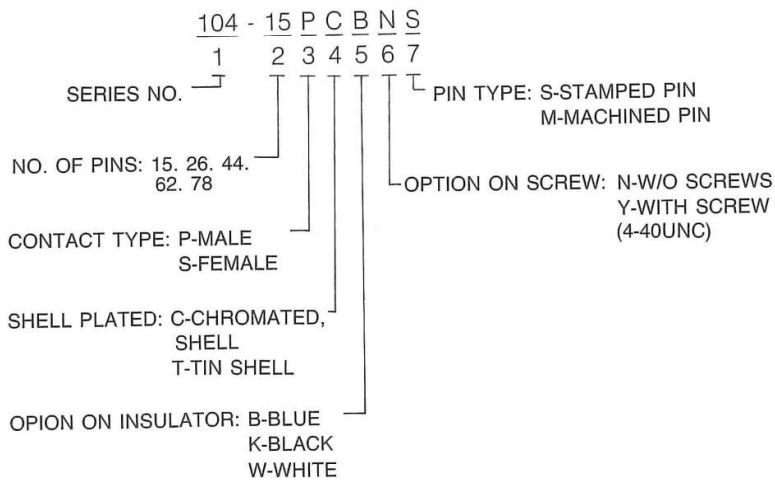
**MALE**



**FEMALE**



## How to order



### Dimension

Position	A	B	C	D	E	F
15	30.8	16.9	2.29	24.99	19.3	16.3
26	39.1	25.3	2.29	33.32	27.5	24.7
44	53.0	39.0	2.29	47.04	41.3	38.4
62	69.3	55.4	2.41	63.50	57.7	54.8
78	66.9	52.86	2.41	61.11	55.3	52.34



# 105 SERIES

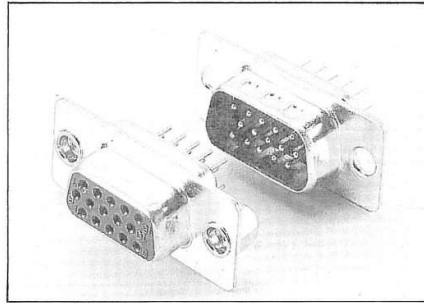
## D-SUB H.D. DIP STRAIGHT TYPE

### Specifications:

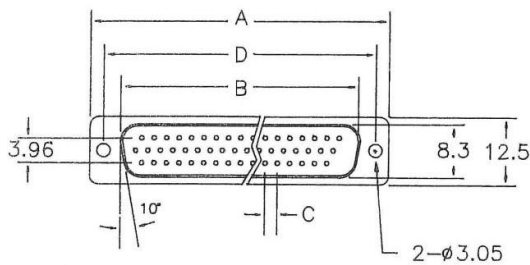
Contact Resistance: 30mΩmax. at Dc 100mA  
 Insulator Resistance: 1000MΩmin. at Dc 500V  
 Current Rating: 3 AMP

### Dielectric Withstanding

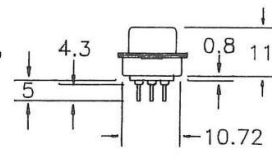
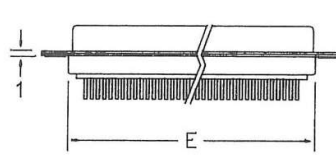
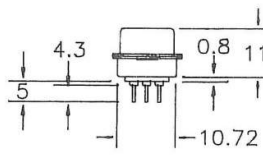
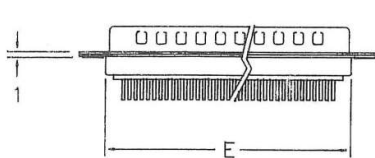
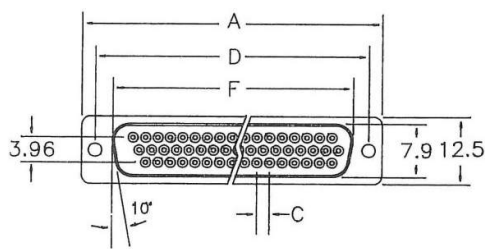
Voltage: AC 1000V For 1 minute  
 Operating Temperature: -55°C~+105°C  
 Contact: Brass or Phosphor Bronze  
 Housing: PBT & 30% Glass Fiber (UL 94V-0)



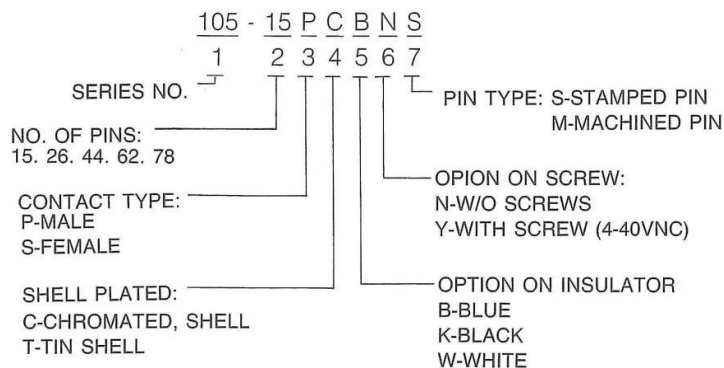
**MALE**



**FEMALE**



## How to order



## Dimension

Position	A	B	C	D	E	F
15	30.8	16.9	2.29	24.99	19.3	16.3
26	39.1	26.6	2.29	33.32	27.5	24.7
44	53.0	39.0	2.29	47.04	41.3	38.4
62	69.3	55.4	2.41	63.50	57.7	54.8
78	66.90	52.86	2.41	61.11	55.30	52.34



# 106 SERIES

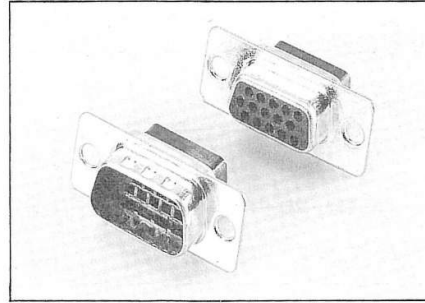
## D-SUB H.D. CRIMP TYPE

### Specifications:

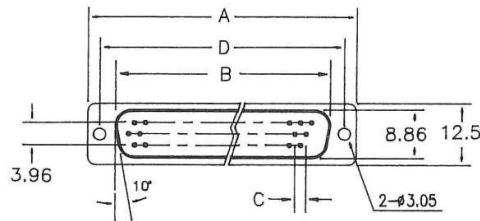
Contact Resistance: 30mΩmax. at DC 100mA  
 Insulator Resistance: 1000MΩmin. at DC 500V  
 Current Rating: 3 AMP

### Dielectric Withstanding

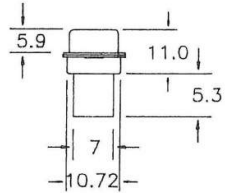
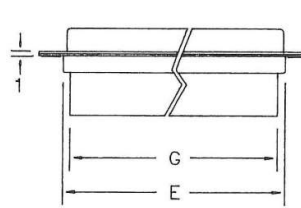
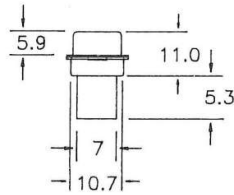
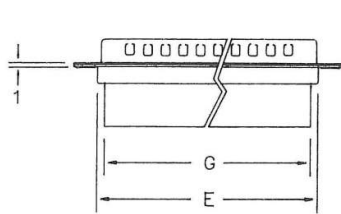
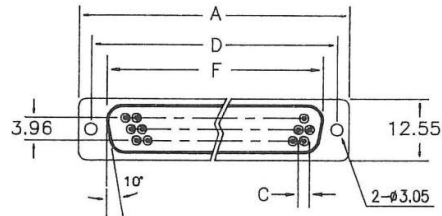
Voltage: AC 1000V For 1 minute  
 Operating Temperature: -55°C~+105°C  
 Contact: Brass or Phosphor Bronze  
 Housing: PBT & 30% Glass Fiber (UL 94V-0)



### MALE



### FEMALE



## How to order

106 - 15 P T B  
 1 2 3 4 5  
 SERIES NO. | NO. OF PINS: 15, 26, 44, 62, 78 | CONTACT TYPE: P-MALE, S. FEMALE  
 OPTION ON INSULATOR: B-BLUE, K-BLACK, W-WHITE  
 SHELL PLATED: C-CHROMATED SHELL, T-TIN SHELL

### Dimension

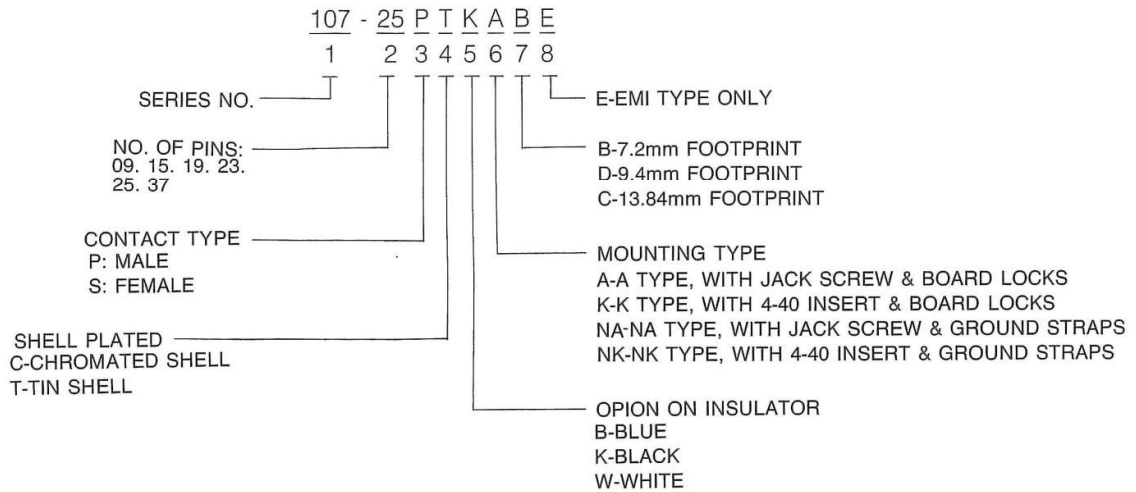
Position	A	B	C	D	E	F	G
15	30.8	24.99	2.29	16.92	19.28	16.33	14.9
26	39.1	33.32	2.29	25.25	21.51	24.66	23.9
44	53.0	47.04	2.29	38.25	41.30	38.38	37.7
62	69.3	63.50	2.41	55.42	57.71	54.84	54.1
78	66.9	52.86	2.41	61.11	55.30	52.34	51.66



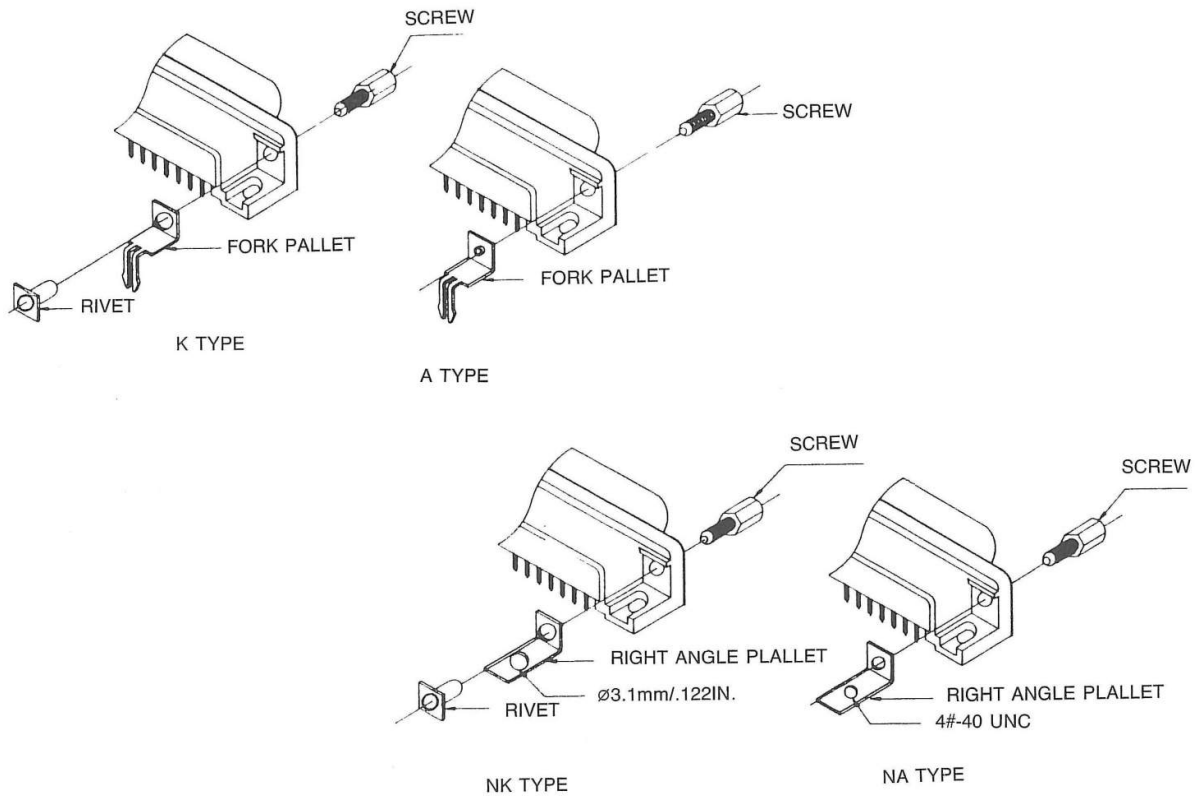
# 107 SERIES

## D-SUB RIGHT ANGLE TYPE

### How to order



### D-SUB CONNECTORS RIGHT ANGLE MOUNTING OPTIONS



# 107 SERIES

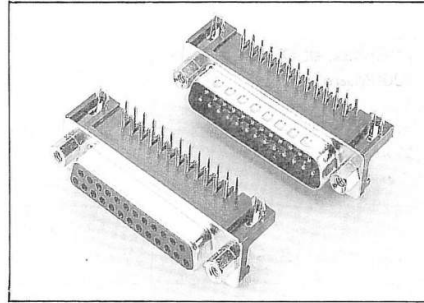
## D-SUB RIGHT ANGLE TYPE (7.2mm)

### Specifications:

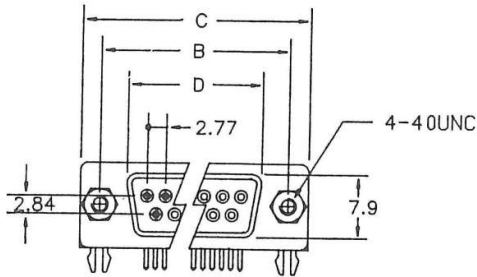
Contact Resistance: 30mΩmax. at DC 100mA  
 Insulator Resistance: 1000MΩmin. at DC 500V  
 Current Rating: 5 AMP

### Dielectric Withstanding

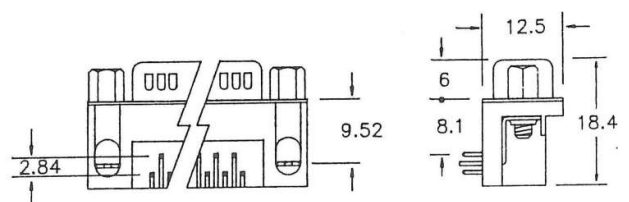
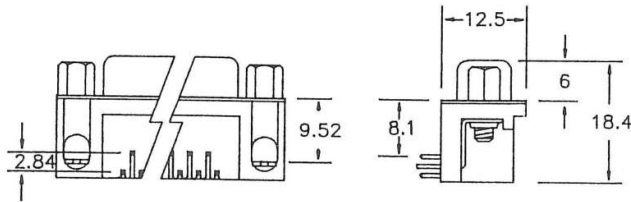
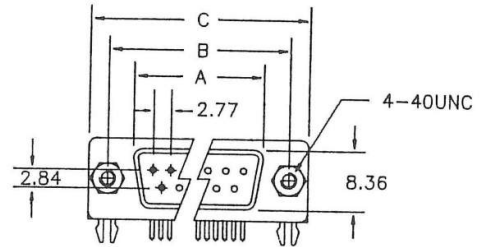
Voltage: AC 1000V For 1 minute  
 Operating Temperature: -55°C~+105°C  
 Contact: Brass or Phosphor Bronze  
 Housing: PBT & 30% Glass Fiber (UL 94V-O)



### FEMALE



### MALE



### Dimension

Position	A	B	C	D
9	16.92	24.99	30.81	16.33
15	25.25	33.32	39.14	24.66
19		39.03	44.80	29.92
23		44.36	50.30	35.18
25	38.96	47.04	53.04	38.38
37	55.42	63.50	69.32	54.84
50	52.86	61.11	66.90	52.34



# 107 SERIES

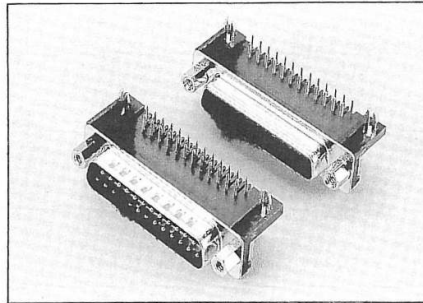
## D-SUB RIGHT ANGLE TYPE (9.4mm)

### Specifications:

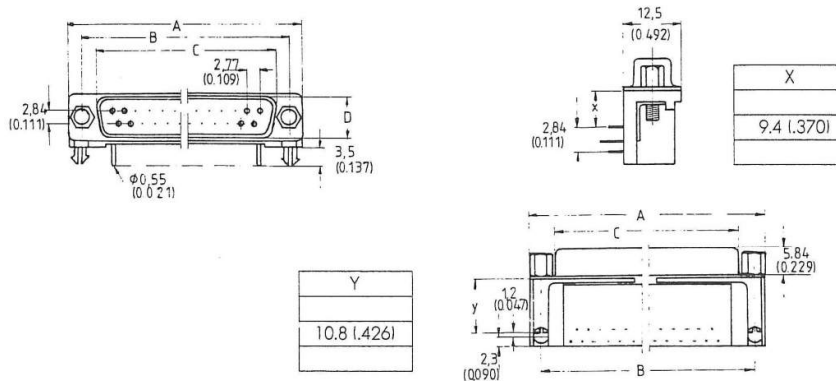
Contact Resistance: 30mΩmax. at DC 100mA  
 Insulator Resistance: 1000MΩmin. at DC 500V  
 Current Rating: 5 AMP

### Dielectric Withstanding

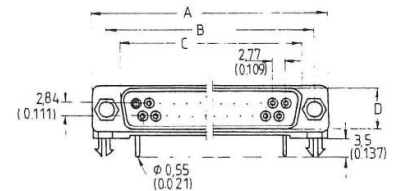
Voltage: AC 1000V For 1 minute  
 Operating Temperature: -55°C~+105°C  
 Contact: Brass or Phosphor Bronze  
 Housing: PBT & 30% Glass Fiber (UL 94V-0)



### MALE



### FEMALE



### Dimension

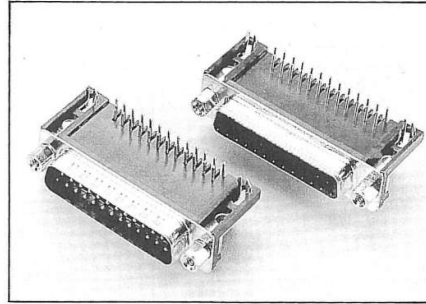
No. of contacts	A	B	C	D
9	30.8	25.0	16.9	8.4
15	39.2	33.3	25.3	8.4
25	53.0	47.0	39.0	8.4
37	69.4	63.5	55.4	8.4

No. of contacts	A	B	C	D
9	30.8	25.0	16.9	8.4
15	39.2	33.3	25.3	8.4
25	53.0	47.0	39.0	8.4
37	69.4	63.5	55.4	8.4



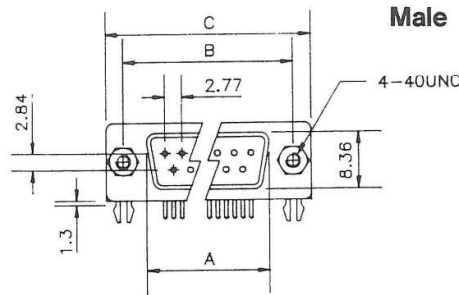
# 107 SERIES

## D-SUB RIGHT ANGLE TYPE (13.84mm)

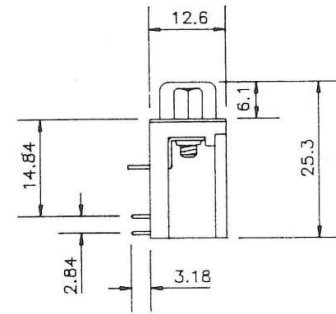
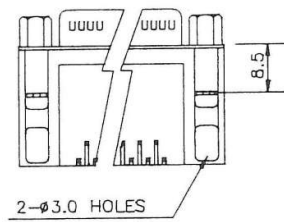


### Dimension

NO. OF CONTACT	A	B	C
09M	16.92	24.99	30.81
15M	25.25	33.32	39.14
25M	38.96	47.04	53.04
37M	55.42	63.50	69.32

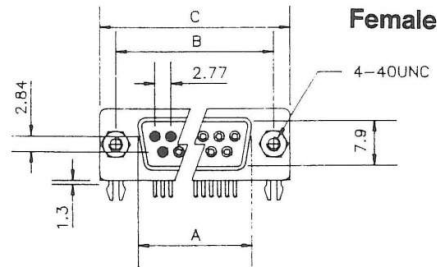


**Male**

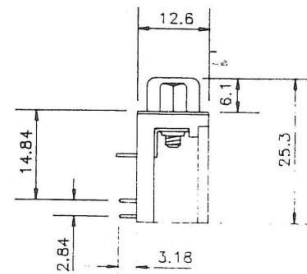
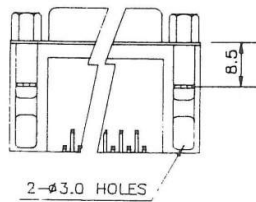


### Dimension

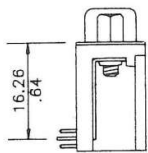
NO. OF CONTACT	A	B	C
09F	16.33	24.99	30.81
15F	24.66	33.32	39.14
25F	38.38	47.04	53.04
37F	54.84	63.50	69.32



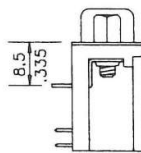
**Female**



### Board lock type



**TYPE 2**



**TYPE 1**

# 108 SERIES

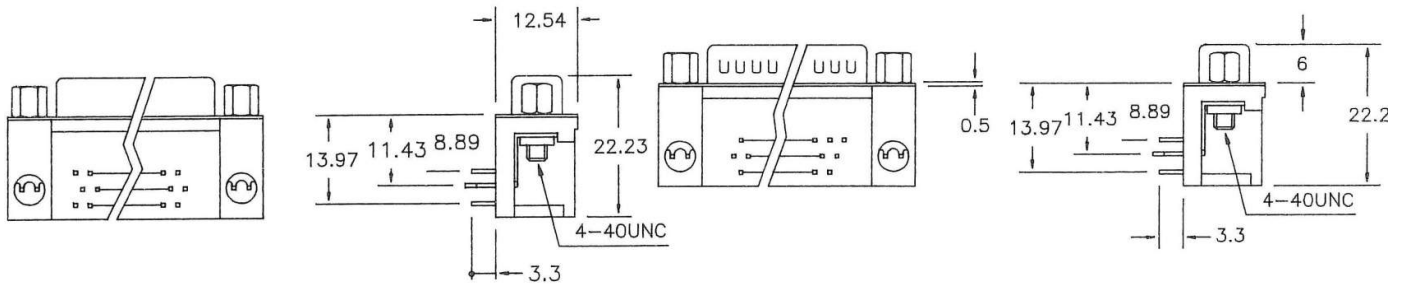
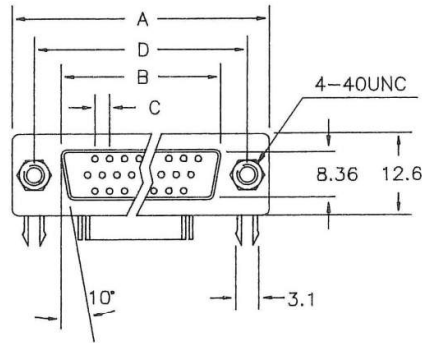
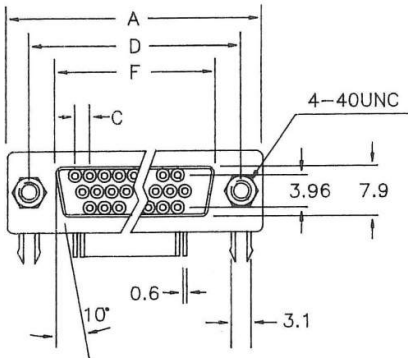
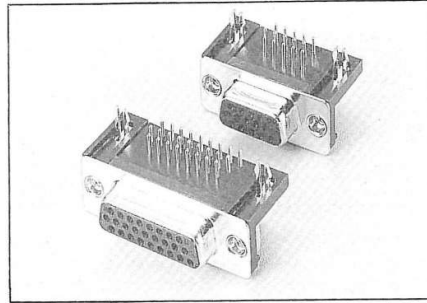
## D-SUB H.D. RIGHT ANGLE TYPE

### Specifications:

Contact Resistance: 30mΩmax. at DC 100mA  
 Insulator Resistance: 1000MΩmin. at DC 500V  
 Current Rating: 3 AMP

### Dielectric Withstanding

Voltage: AC 1000V For 1 minute  
 Operating Temperature: -55°C ~ +105°C  
 Contact: Brass or Phosphor Bronze  
 Housing: PBT & 30% Glass Fiber (UL 94V-O)



### How to order

108 - 15 S T K A G  
 1 2 3 4 5 6 7

SERIES NO. 1  
 NO OF PINS: 15, 26, 44, 62  
 CONTACT TYPE: S-FEMALE  
 SHELL PLATED: C-CHROMATED SHELL, T-TIN SHELL

E-EMI TYPE ONLY

MOUNTING TYPE:  
 A-A TYPE, WITH Jack SCREW & BOARD LOCKS  
 K-K TYPE, WITH 4-40 INSERT & BOARD LOCKS  
 Y-WITH 4-40 RIVETED THREADED INSERTS, BOARDLOCKS, AND JACKSCREWS ATTACHED

OPION ON INSULATOR:  
 B-BLUE  
 K-BLACK  
 W-WHITE

### Dimension

Position	Dimension				
	A	B	C	D	E
15	16.3	0.25	2.29	24.99	30.8
26	24.7	0.51	2.29	33.32	39.1
44	38.4	0.51	2.29	47.04	53.0
62	54.8	0.58	2.41	63.50	69.3



# 110 SERIES

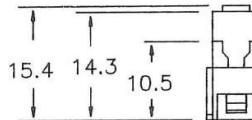
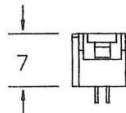
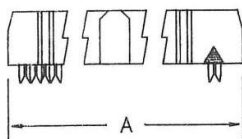
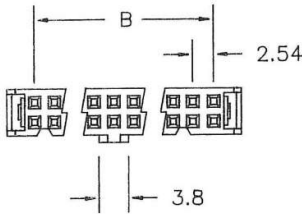
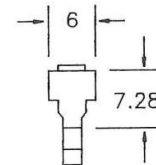
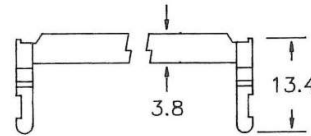
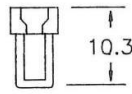
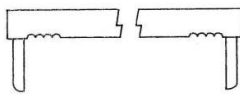
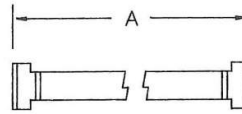
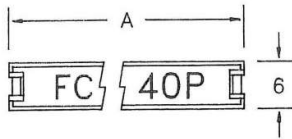
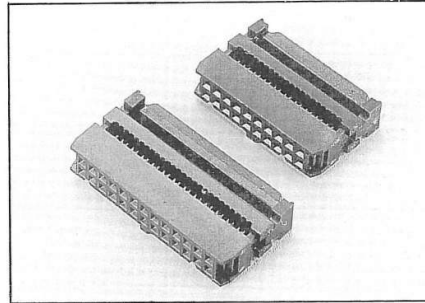
## I.D.C SOCKET 2.54mm (0.100")

### Specifications:

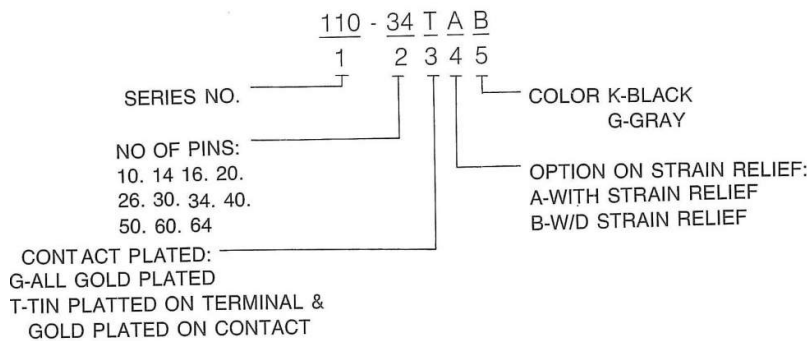
Contact Resistance: 30mΩmax. at DC 100mA  
 Insulator Resistance: 1000MΩmin. at DC 500V  
 Current Rating: 1 AMP

### Dielectric Withstanding

Voltage: AC 500V For 1 minute  
 Operating Temperature: -55°C~+105°C  
 Contact: Phosphor Bronze  
 Housing: PBT & 30% Glass Fiber (UL 94V-O)



## How to order



### Dimension

Position	Dimension	
	A	B
10	17.27	10.16
14	22.35	15.24
16	24.89	17.78
20	29.97	22.86
24	35.05	27.94
26	37.59	30.48
30	42.67	25.56
34	47.75	40.64
40	55.37	48.26
50	68.07	60.96
60	80.77	73.66
64	85.85	78.74



# 111 SERIES

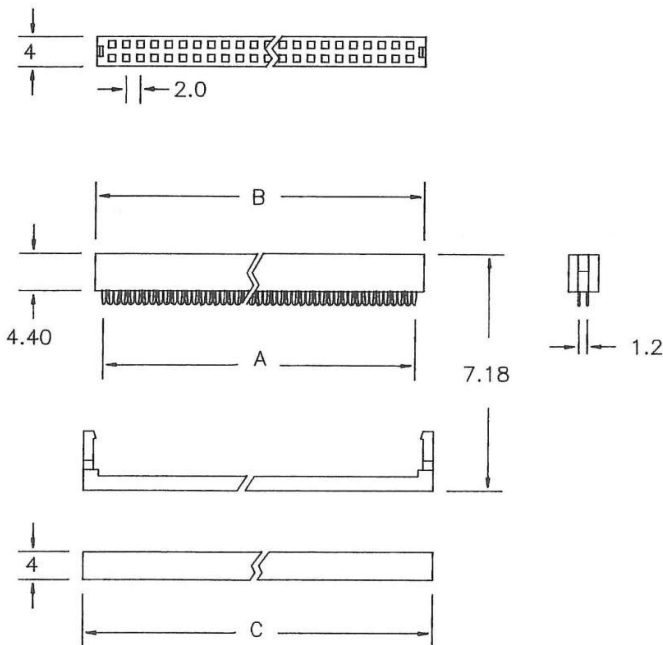
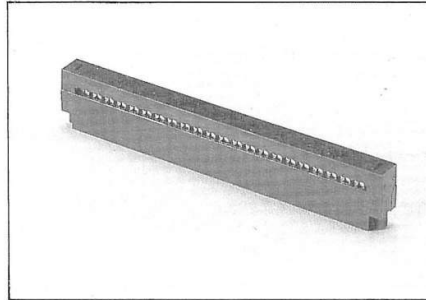
## I.D.C SOCKET 2.0mm (0.079")

### Specifications:

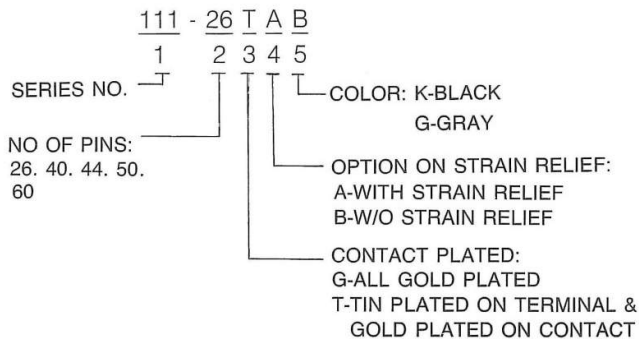
Contact Resistance: 35mΩmax.  
 Insulator Resistance: 1000MΩmin. at DC 500V  
 Current Rating: 1 AMP

### Dielectric Withstanding

Voltage: AC 250V  
 Operating Temperature: -55°C~+105°C  
 Contact: Phosphor Bronze  
 Housing: PBT & 30% Glass Fiber (UL 94V-O)



## How to order



# 112 SERIES

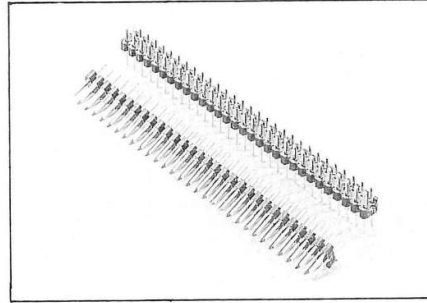
## PIN HEADER 2.54mm (0.100")

### Specifications:

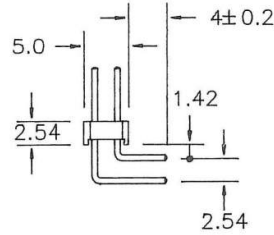
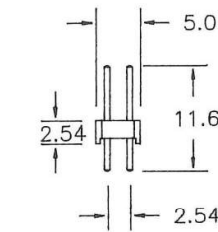
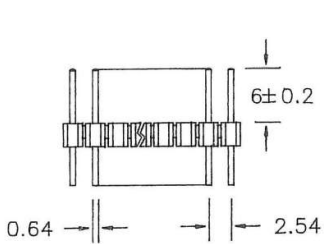
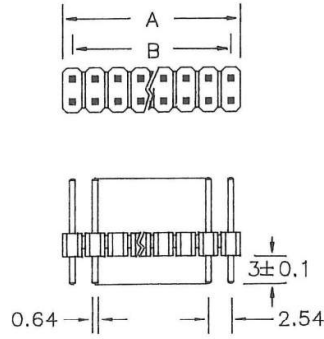
Contact Resistance: 30mΩmax. at DC 100mA  
 Insulator Resistance: 1000MΩmin. at DC 500V  
 Current Rating: 1 AMP

### Dielectric Withstanding

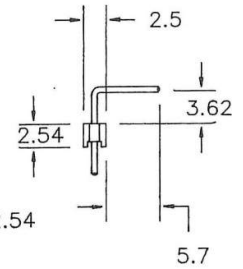
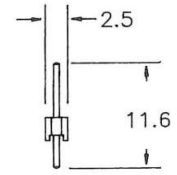
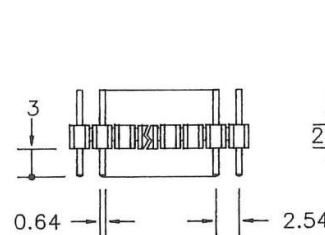
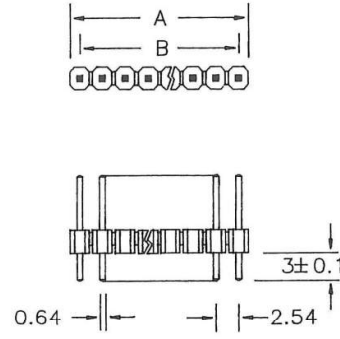
Voltage: AC 500V For 1 minute  
 Operating Temperature: -55°C~+105°C  
 Contact: Brass  
 Housing: PBT & 30% Glass Fiber (UL 94V-0)



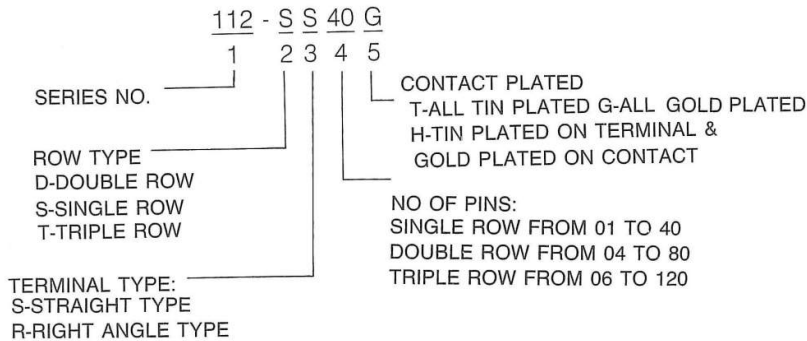
### Dual Row



### Single Row



## How to order



Position	2 Thru 40
Dimension	4 Thru 80
A	2.54*Position No.
B	2.54*Position No. - 2.54



# 113 SERIES

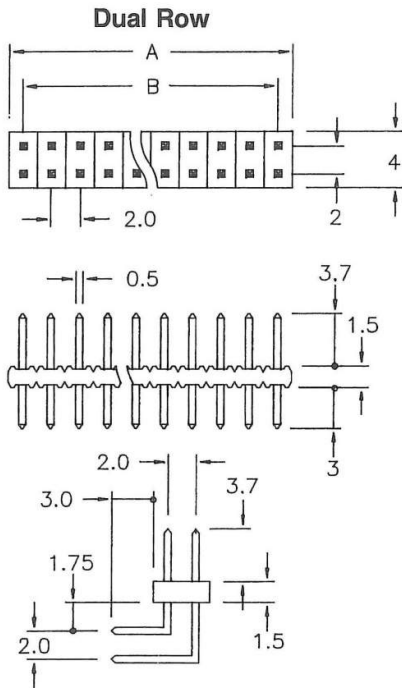
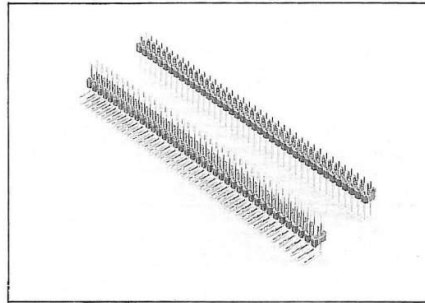
## PIN HEADER 2.0mm (0.079")

### Specifications:

Contact Resistance: 30mΩ(max)  
 Insulator Resistance: 1000MΩmin. at DC 500V  
 Current Rating: 1 AMP

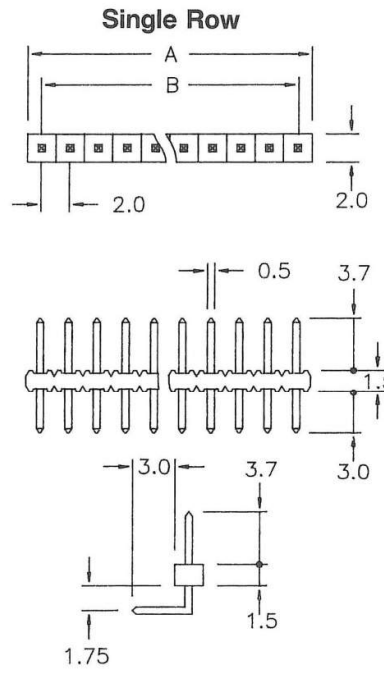
### Dielectric Withstanding

Voltage: AC 500V  
 Operating Temperature: -55°C~+105°C  
 Contact: Phosphor Bronze  
 Housing: PBT & 30% Glass Fiber (UL 94V-0)



Straight

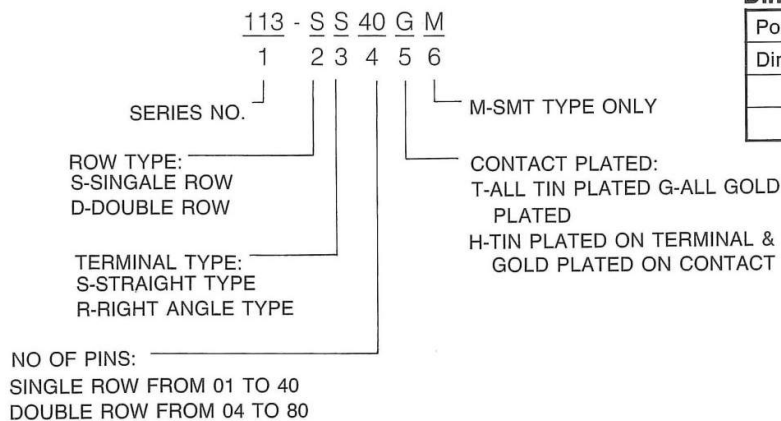
Right Angle



Straight

Right Angle

## How to order



### Dimension

Position	2 Thru 40
Dimension	4 Thru 80
A	2.0mm(.079in)*Position No.
B	2.0mm(.079in)*Position No. - 2.0mm



# 114 SERIES

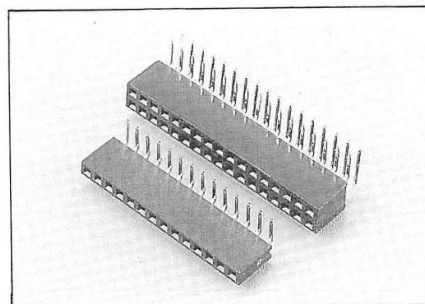
## P.C.B SOCKET 2.54mm (0.100")

### Specifications:

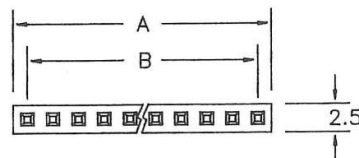
Contact Resistance: 30mΩmax. at DC 100mA  
 Insulator Resistance: 1000MΩmin. at DC 500V  
 Current Rating: 1 AMP

### Dielectric Withstanding

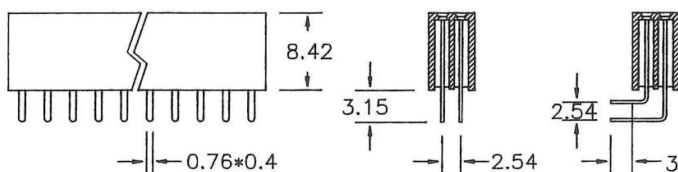
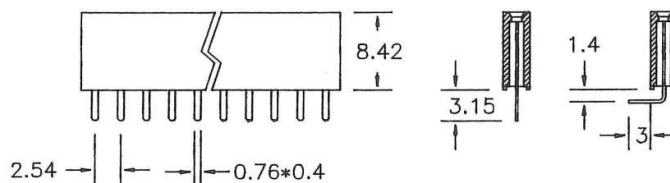
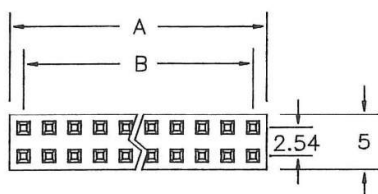
Voltage: AC 500V For 1 minute  
 Operating Temperature: -55°C~+105°C  
 Contact: Phosphor Bronze  
 Housing: PBT & 30% Glass Fiber (UL 94V-O)



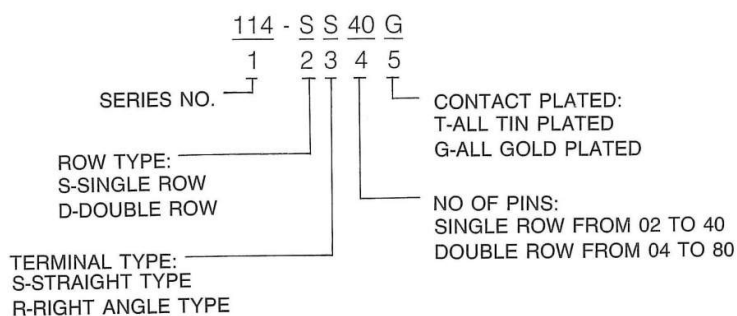
Single Row



Dual Row



## How to order



### Dimension

Position	2 Thru 40
Dimension	4 Thru 80
A	2.54*Position No.
B	2.54*Position No. - 2.54



# 115 SERIES

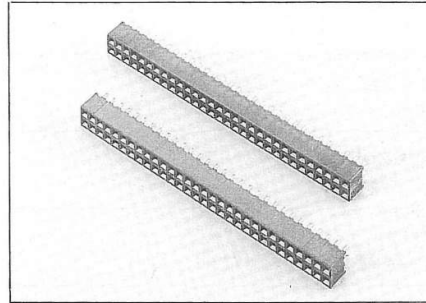
## P.C.B SOCKET 2.0mm (0.079")

### Specifications:

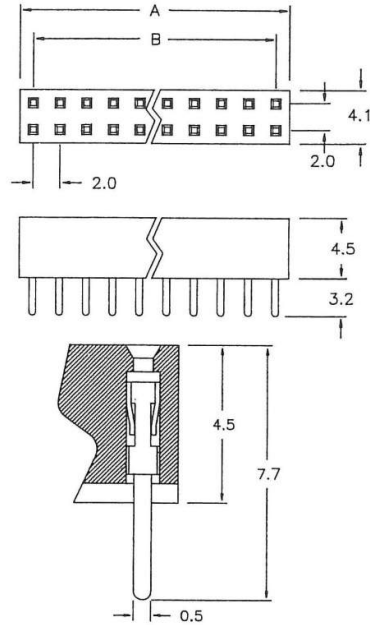
Contact Resistance: 30mΩmax. at DC 100mA  
 Insulator Resistance: 1000MΩmin. at DC 500V  
 Current Rating: 1 AMP

### Dielectric Withstanding

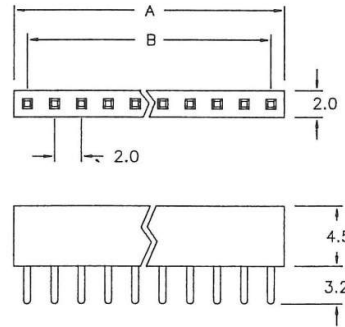
Voltage: AC 500V For 1 minute  
 Operating Temperature: -55°C~+105°C  
 Contact: Phosphor Bronze  
 Housing: PBT & 30% Glass Fiber (UL 94V-0)



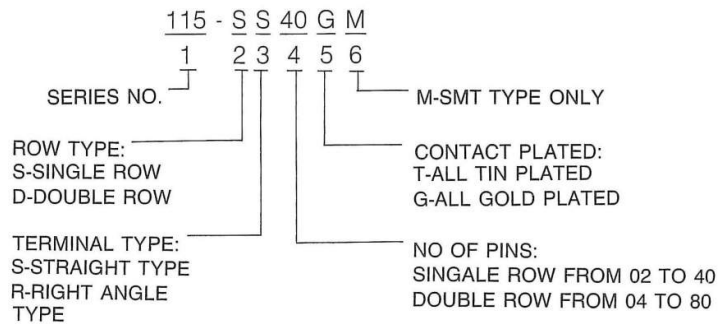
**Dual Row**



**Single Row**



### How to order



### Dimension

Position	2 Thru 40
Dimension	4 Thru 80
A	2.0mm(.079in)*Position No.
B	2.0mm(.079in)*Position No. - 2.0mm



# 116 & 117 SERIES

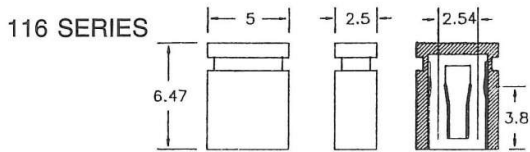
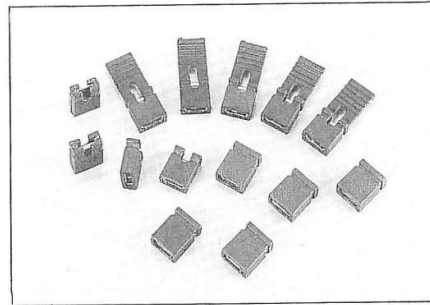
## MINI JUMPER 2.54mm (0.100")

### Specifications:

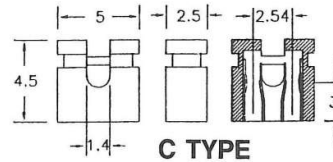
Contact Resistance: 30mΩmax. at DC 100mA  
 Insulator Resistance: 1000MΩmin. at DC 500V  
 Current Rating: 1 AMP

### Dielectric Withstanding

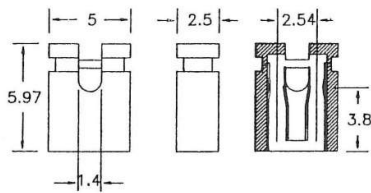
Voltage: AC 500V For 1 minute  
 Operating Temperature: -55°C~+105°C  
 Contact: Phosphor Bronze  
 Housing: PBT & 30% Glass Fiber (UL 94V-O)



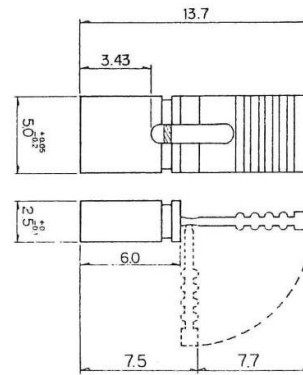
A TYPE



C TYPE

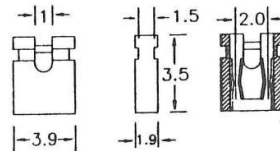


B TYPE

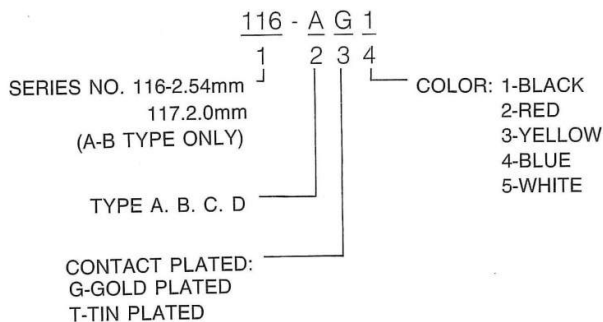


D TYPE

117 SERIES  
 2.0mm (0.100")



## How to order



# 118 SERIES

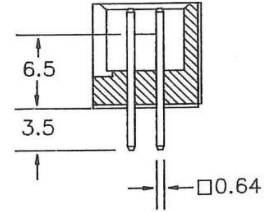
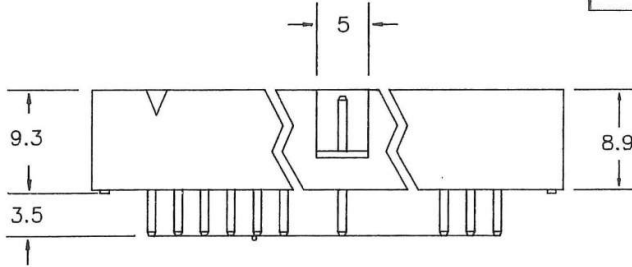
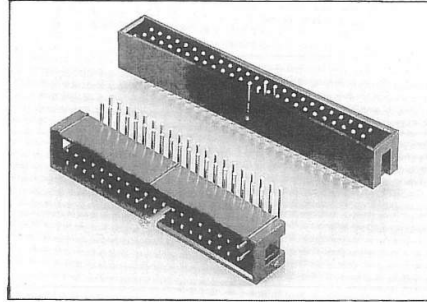
## BOX HEADER 2.54mm (0.100")

### Specifications:

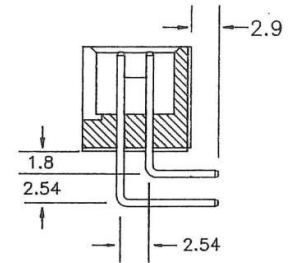
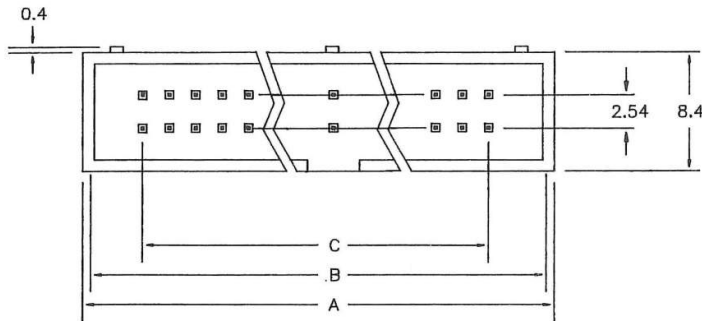
Contact Resistance: 30mΩmax. at DC 100mA  
 Insulator Resistance: 1000MΩmin. at Dc 500V  
 Current Rating: 1 AMP

### Dielectric Withstanding

Voltage: AC 500V For 1 minute  
 Operating Temperature: -55°C~+105°C  
 Contact: Brass  
 Housing: PBT & 30% Glass Fiber (UL 94V-O)

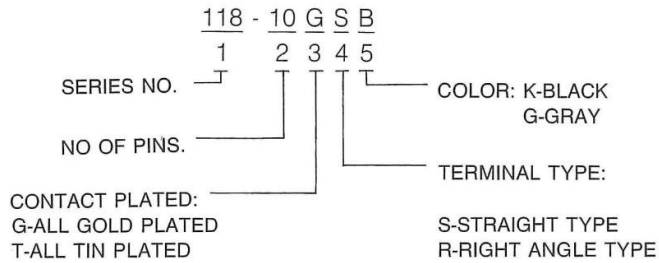


**Straight**



**Right Angle**

## How to order



### Dimension

Position	A	B	C
10	20.30	18.10	10.16
12	22.84	20.64	12.70
14	25.38	23.18	15.24
16	27.92	25.72	17.78
20	33.00	30.80	22.86
26	40.62	38.42	30.48
30	45.70	43.50	35.56
34	50.78	48.58	40.64
40	58.40	56.20	48.26
50	71.10	68.90	60.96
60	83.80	81.60	73.66
64	88.88	86.68	78.74

# 119 SERIES

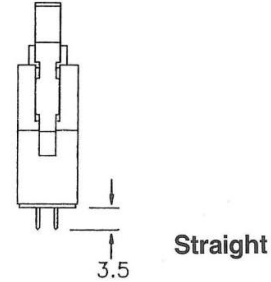
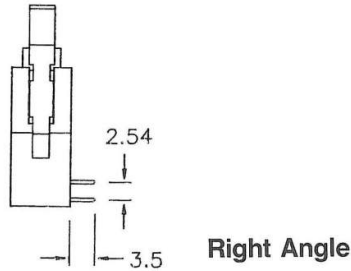
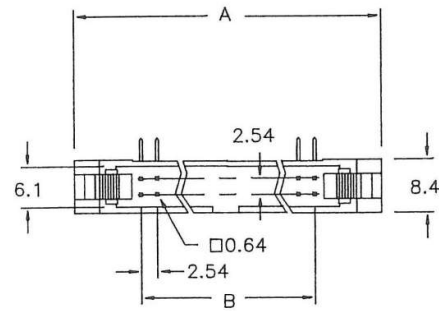
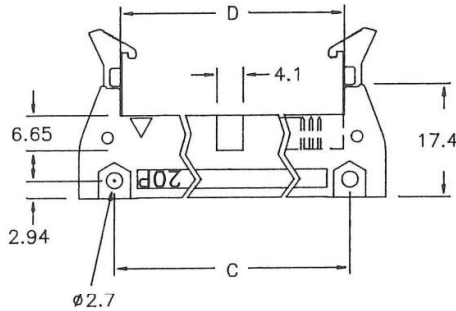
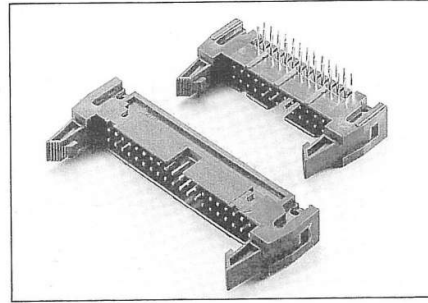
## P.C. BOARD HEADER CONNECTOR WITH LATCHES 2.54mm (0.100")

### Specifications:

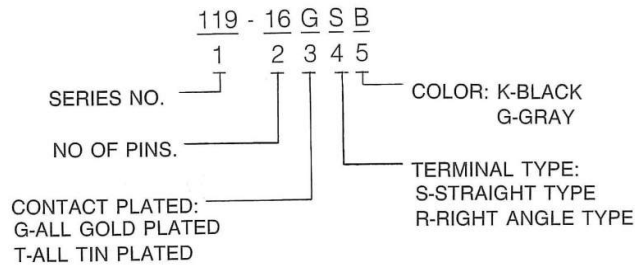
Contact Resistance: 30mΩmax. at Dc 100mA  
 Insulator Resistance: 1000MΩmin. at DC 500V  
 Current Rating: 1 AMP

### Dielectric Withstanding

Voltage: AC 500V For 1 minute  
 Operating Temperature: -55°C~+105°C  
 Contact: Brass  
 Housing: PBT & 30% Glass Fiber (UL 94V-O)



### How to order



### Dimension

Position	A	B	C	D
10	32.00	10.16	21.84	17.96
12	34.54	12.70	24.38	20.50
14	37.08	15.24	26.92	23.04
16	39.62	17.78	29.46	25.58
20	44.70	22.86	34.54	30.66
26	52.32	30.48	42.16	38.28
30	57.40	35.56	47.24	43.36
34	62.48	40.64	52.32	48.44
40	70.10	48.26	59.94	56.60
50	82.80	60.96	72.64	68.76
60	95.50	73.66	85.34	81.46
64	100.58	78.74	90.42	86.54



# 120 SERIES

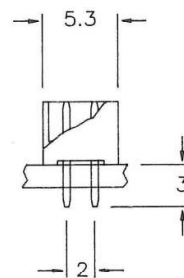
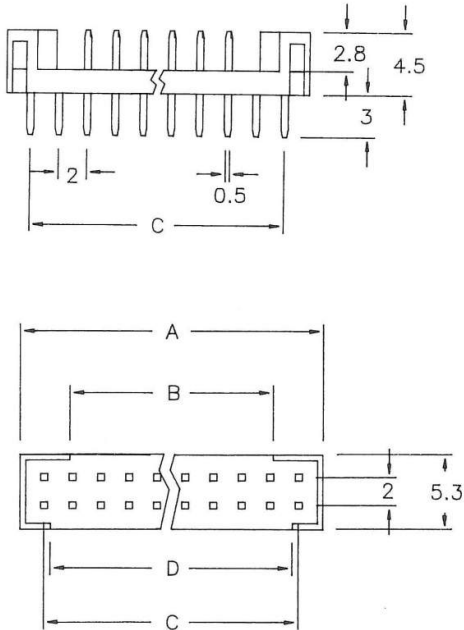
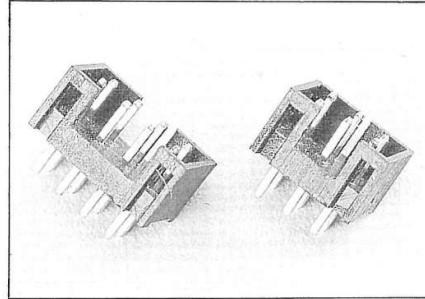
## BOX HEADER 2.0mm (0.079")

### Specifications:

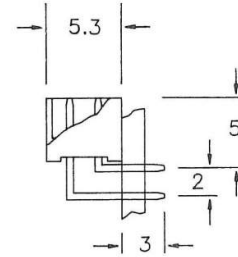
Contact Resistance: 30mΩmax. at Dc 100mA  
 Insulator Resistance: 1000MΩmin. at DC 500V  
 Current Rating: 1 AMP

### Dielectric Withstanding

Voltage: AC 500V For 1 minute  
 Operating Temperature: -55°C~+105°C  
 Contact: Brass  
 Housing: PBT & 30% Glass Fiber (UL 94V-O)

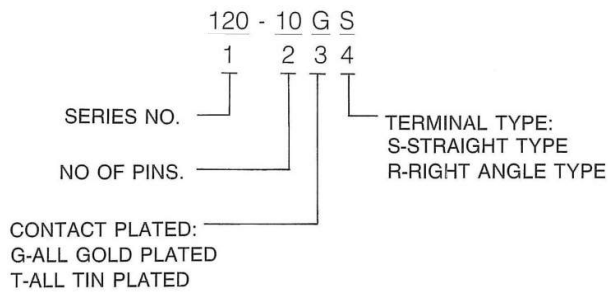


**Straight**



**Right Angle**

### How to order



### Dimension

Position	A ±0.1	B ±0.4	C	D
4	5.4	1.1	2	...
6	7.4	3.1	4	...
8	9.4	5.1	6	2.4
10	11.4	7.1	8	4.4
12	13.4	9.1	10	6.4
14	15.4	11.1	12	8.4
16	17.4	13.1	14	10.4
18	19.4	15.1	16	12.4
20	21.4	17.1	18	14.4
22	23.4	19.1	20	16.4
24	25.4	21.1	22	18.4
26	27.4	23.1	24	20.4
28	29.4	25.1	26	22.4
30	31.4	27.1	28	24.4



# 123 SERIES

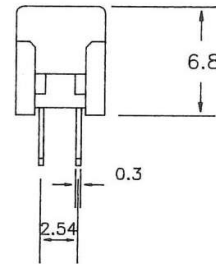
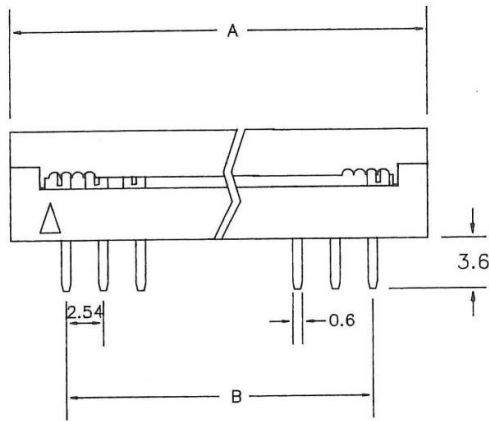
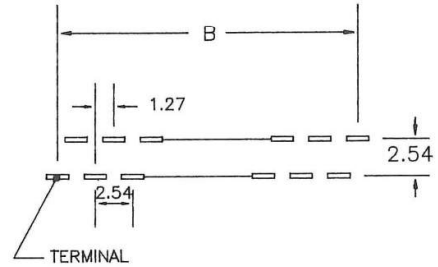
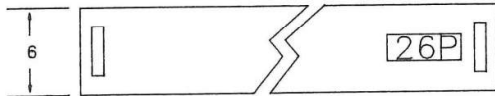
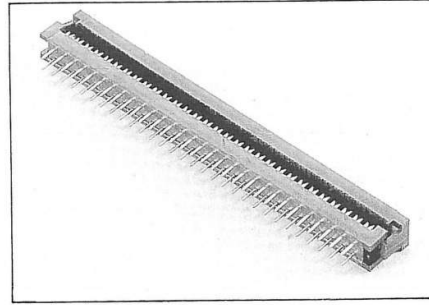
## DIP PLUG 2.54mm (0.100")

### Specifications:

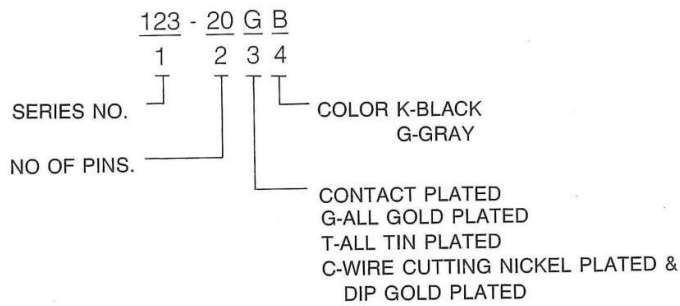
Contact Resistance: 30mΩmax. at DC 100mA  
 Insulator Resistance: 1000MΩmin. at DC 500V  
 Current Rating: 1 AMP

### Dielectric Withstanding

Voltage: AC 500V For 1 minute  
 Operating Temperature: -55°C~+105°C  
 Contact: Phosphor Bronze  
 Housing: PBT & 30% Glass Fiber (UL 94V-O)



### How to order



### Dimension

Position	A	B
10	17.80	10.16
14	22.82	15.24
16	25.40	17.78
20	30.52	22.86
26	38.12	30.48
30	43.32	35.56
34	48.40	40.64
40	55.92	48.26
50	68.72	60.96
60	81.42	73.66
64	86.38	78.74

# 125 SERIES

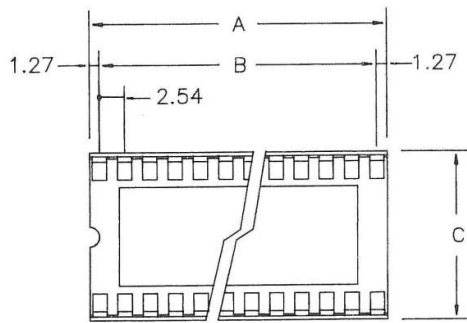
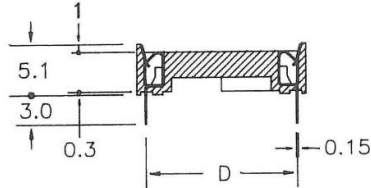
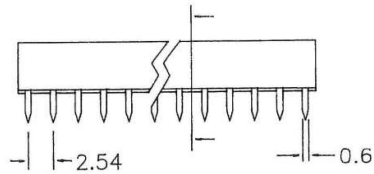
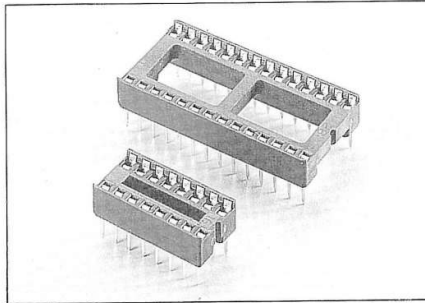
## IC SOCKET 2.54mm (0.100")

### Specifications:

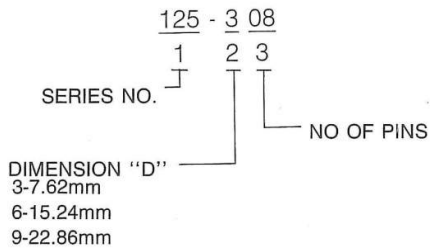
Contact Resistance: 30mΩmax. at DC 100mA  
 Insulator Resistance: 1000MΩmin. at DC 500V  
 Current Rating: 1 AMP

### Dielectric Withstanding

Voltage: AC 500V For 1 minute  
 Operating Temperature: -55°C~+105°C  
 Contact: Phosphor Bronze  
 Housing: PBT & 30% Glass Fiber (UL 94V-O)



### How to order



### Dimension

Position	Dimension			
	A	B	C	D
6	7.52	7.62	10.16	7.62
8	10.16	7.62	10.16	7.62
14	17.78	15.24	10.16	7.62
16	20.32	17.78	10.16	7.62
18	22.86	20.32	10.16	7.62
20	25.40	22.86	10.16	7.62
24	30.48	27.94	10.16	7.62
24	30.48	27.94	17.78	15.24
28	35.56	33.02	10.16	7.62
28	35.56	33.02	17.78	15.24
32	40.54	38.10	17.68	15.24
40	50.80	48.26	17.78	15.24
42	53.21	50.80	17.68	15.24
48	60.80	58.42	17.68	15.24
64	81.24	78.43	25.99	22.86



# 126 SERIES

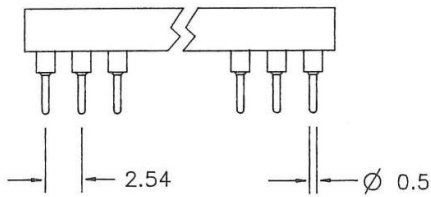
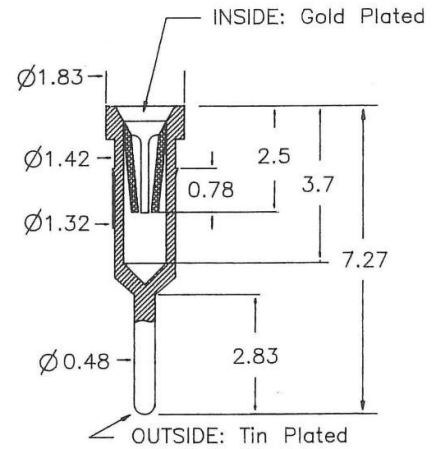
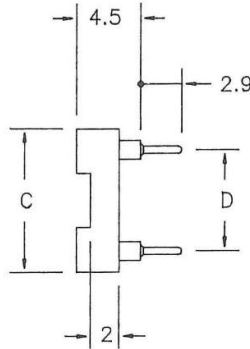
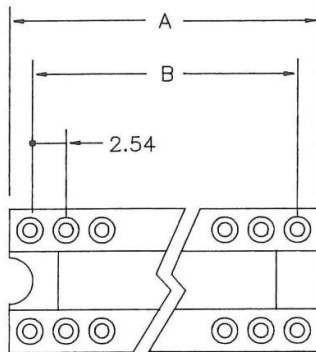
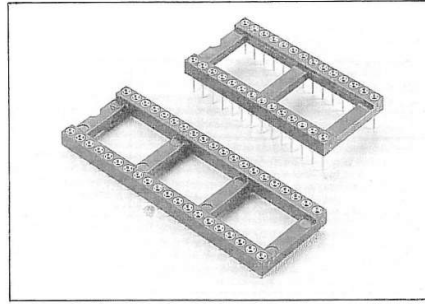
## IC SOCKET 2.54mm (0.100")

### Specifications:

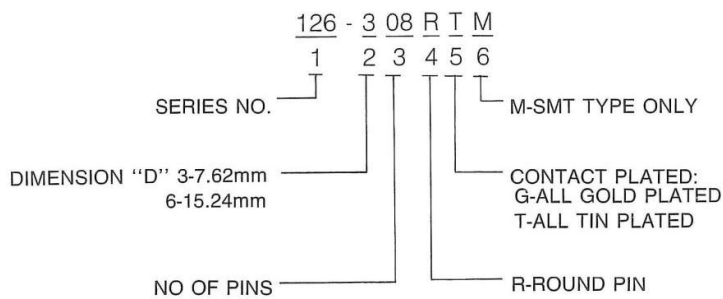
Contact Resistance: 30mΩmax. at DC 100mA  
 Insulator Resistance: 1000MΩmin. at Dc 500V  
 Current Rating: 1 AMP

### Dielectric Withstanding

Voltage: AC 500V For 1 minute  
 Operating Temperature: -55°C~+105°C  
 Contact: Phosphor Bronze  
 Housing: PBT & 30% Glass Fiber (UL 94V-O)



## How to order



### Dimension

Position	Dimension			
	A	B	C	D
8	10.16	7.62	10.16	7.62
14	17.78	15.24	10.16	7.62
16	20.32	17.78	10.16	7.62
18	22.86	20.32	10.16	7.62
20	25.40	22.86	10.16	7.62
24	30.48	27.94	17.78	15.24
28	35.56	33.02	17.78	15.24
40	50.80	48.26	17.78	15.24





# 127 SERIES

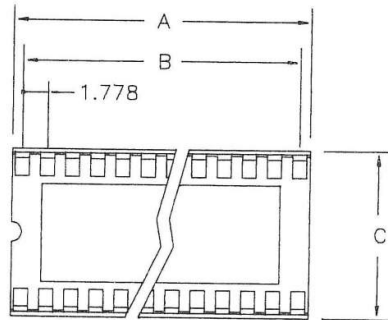
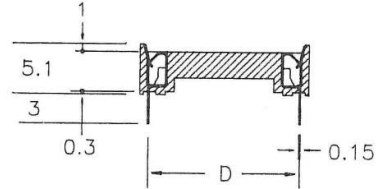
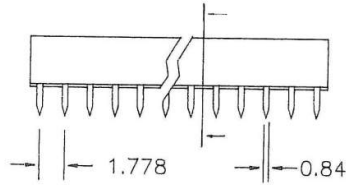
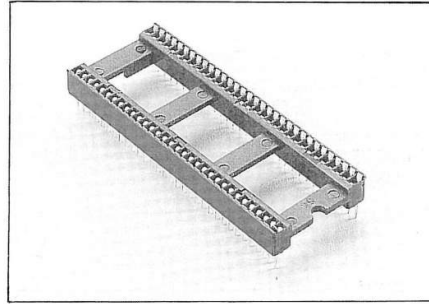
## H.D. IC SOCKET 1.778mm (0.070'')

### Specifications:

Contact Resistance: 30mΩmax. at DC 100mA  
 Insulator Resistance: 1000MΩmin. at Dc 500V  
 Current Rating: 1 AMP

### Dielectric Withstanding

Voltage: AC 500V For 1 minute  
 Operating Temperature: -55°C~+105°C  
 Contact: Phosphor Bronze  
 Housing: PPS & 30% Glass Fiber (UL 94V-0)



## How to order

$\frac{127}{1} - \frac{64}{2}$   
 SERIES NO.      NO. OF PINS

### Dimension

Position	A	B	C	D
24	21.30	19.56	12.65	10.16
28	25.17	23.11	12.65	10.16
30	26.60	24.89	12.65	10.16
40	35.84	33.78	17.73	15.24
42	37.30	35.56	17.73	15.24
64	57.00	55.12	21.54	19.05



# 128 SERIES

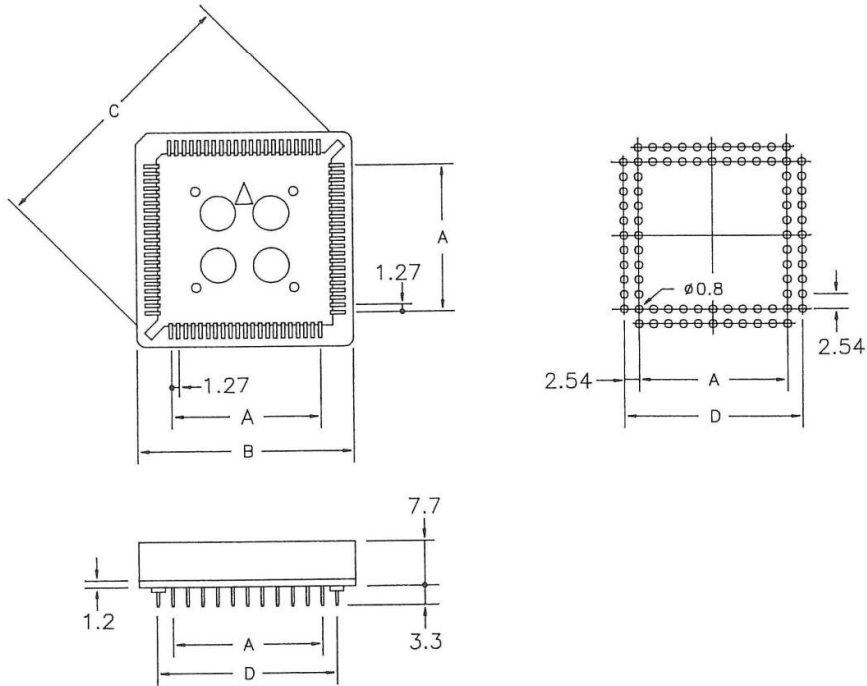
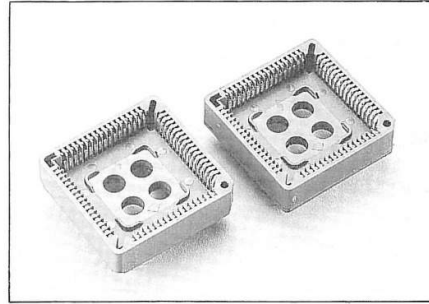
## P.L.C.C SOCKET

### Specifications:

Contact Resistance: 30mΩmax. at DC 100mA  
 Insulator Resistance: 1000MΩmin. at DC 500V  
 Current Rating: 1 AMP

### Dielectric Withstanding

Voltage: AC 500V For 1 minute  
 Operating Temperature: -55°C~+105°C  
 Contact: Phosphor Bronze  
 Housing: PPS & 40% Glass Fiber (UL 94V-O)  
 PBT & 30% Glass Fiber (UL 94V-O)



### How to order

128 - 68 A T  
 1 2 3 4  
 SERIES NO. ——— 1  
 NO. OF PINS ——— 2  
 INCONTACT PLATED  
 T: ALL TIN PLATED  
 G: ALL GOLD PLATED  
 INSULATOR MATERIAL  
 A-PPS  
 B-PBT

### Dimension

Position	A	B	C	D
20	5.08	15.58	18.30	10.16
28	7.62	18.10	22.20	12.70
32	7.62	18.80	25.70	12.70
	10.16	21.30	15.24	
44	12.70	23.50	29.80	17.78
52	15.24	26.00	32.64	20.32
68	20.32	30.20	40.10	25.40
84	25.40	35.20	46.90	30.48



# 129 SERIES

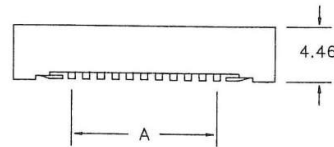
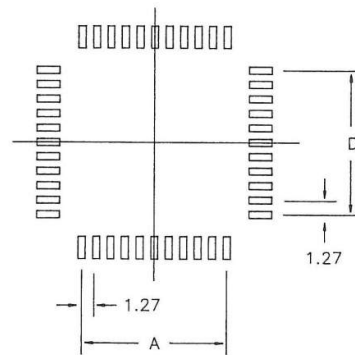
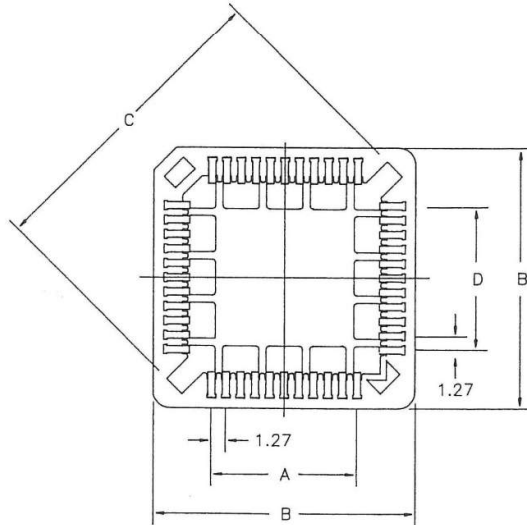
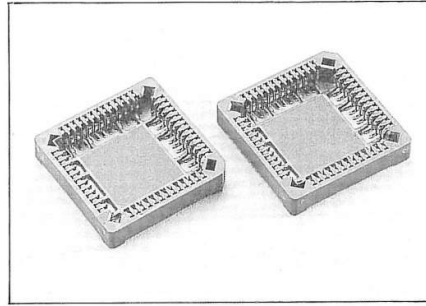
## P.L.C.C SMT SOCKET

### Specifications:

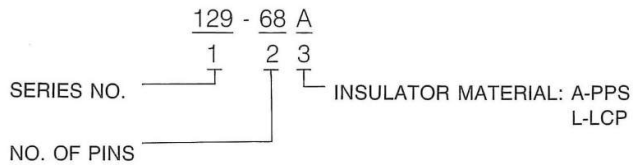
Contact Resistance: 30mΩmax. at DC 100mA  
 Insulator Resistance: 1000MΩmin. at DC 500V  
 Current Rating: 1 AMP

### Dielectric Withstanding

Voltage: AC 500V For 1 minute  
 Operating Temperature: -55°C~+105°C  
 Contact: Phosphor Bronze  
 Housing: PPS & 40% Glass Fiber (UL 94V-0)



### How to order



### Dimension

Position	A	B	C	D
20	5.08	15.24	16.70	5.08
28	7.62	17.78	20.30	7.62
32	7.62	17.78	22.50	10.16
44	12.70	22.86	27.50	12.70
52	15.24	25.40	31.10	15.24
68	20.32	30.82	38.30	20.32
84	25.40	35.90	45.50	25.40



# 131 SERIES

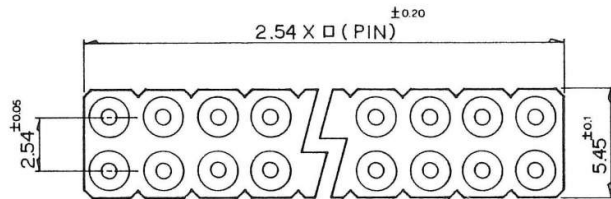
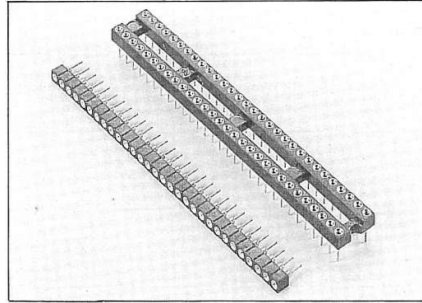
## SIP SOCKET (SCREW PIN) 2.54mm

### Material and Finish:

Insulator: Glass Filled Thermoplastic  
 PPS UL 94V-0  
 Contact: (BeCu), Beryllium Copper  
 Finishes: Outer Shield: Tin Plated  
 Inner Contact: Gold Plated

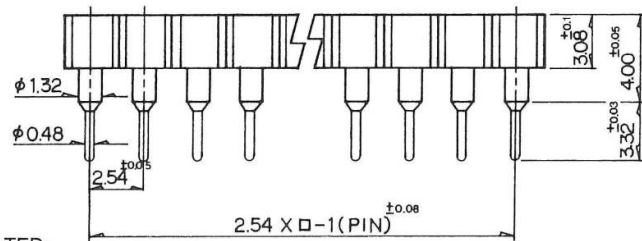
### Performance Characteristics:

Rated Voltage: 250V AC  
 Rated Current: 1 Amp  
 Withstanding Voltage: 1000V AC for One Minute  
 Contact Resistance: 15 Milliohms Max  
 Insulation Resistance: 1000 Megohms Min  
 Operating Temperature: -55°C to +105°C  
 Contact Style: Four-Fingered Inner Contact



### How to order

131 - S 30 05  
 1 2 3 4  
 SERIES NO.      |      |      |      |  
 ROW TYPE:      |      |      |      |  
 S-SINGLE ROW    |      |      |      |  
 (1-40 PINS)     |      |      |      |  
 D-DUAL ROW     |      |      |      |  
 (2-80 PINS)    |      |      |      |  
 INNER CONTACT GOLD PLATED:  
 05-5μ''  
 10-10μ''  
 20-20μ''  
 30-30μ''  
 NO. OF PINS



# 138 SERIES

## PCB CONNECTOR WAFER HEADER 2.54MM

**Material:**

Housing: Nylon 6/6, UL94V-2

Contacts: Brass

**Electrical Characteristics:**

Current Rating: 2A

Insulator Resistance: 100M Ohm min. at AC 250V

Contact Resistance: 10m Ohm max.

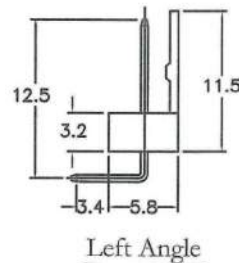
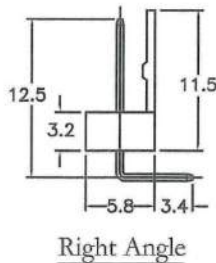
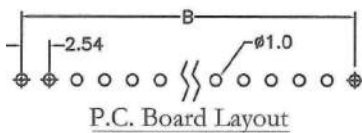
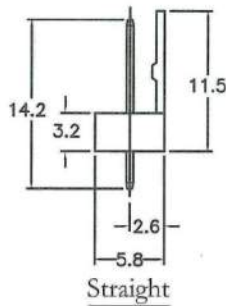
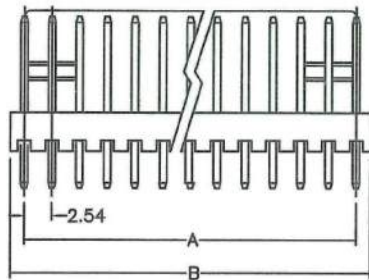
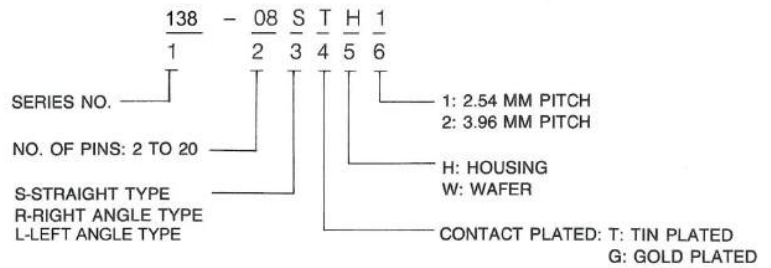
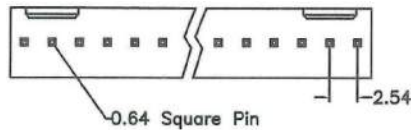
Operating Temperature: -25°C ~ +85°C



**Features:**

- Available in single row 2 pin to 20 pin.
- 0.64mm (0.025") tin plated pins.
- Side-to-side and end-to-end stackable.

### How to order



Position	Dimension	
	A	B
2	2.54	5.12
3	5.08	7.66
4	7.62	10.20
5	10.16	12.74
6	12.70	15.30
7	15.24	17.94
8	17.78	20.48
9	20.32	23.02
10	22.86	25.56
11	25.40	28.12
12	27.94	30.66
13	30.48	33.10
14	33.02	35.80
15	35.56	38.34
16	38.10	40.94
17	40.64	43.30
18	43.18	45.90
19	45.72	48.56
20	48.28	50.80



# 138 SERIES

## PCB CONNECTOR HOUSING 2.54MM

### Material:

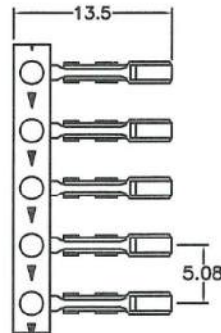
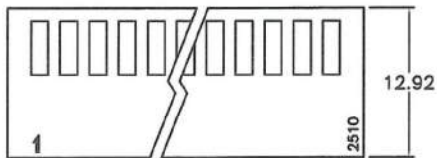
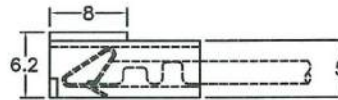
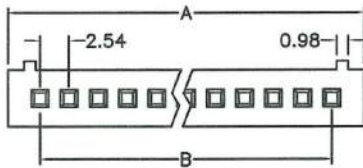
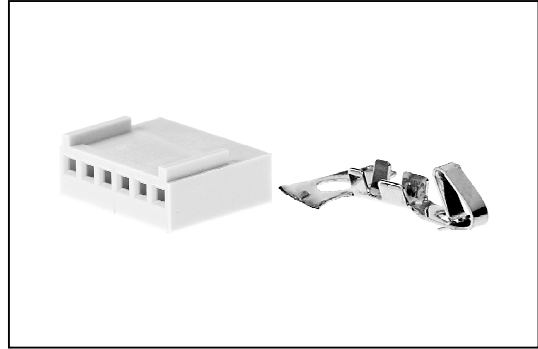
Housing: Nylon 6/6, UL94V-2  
 Contacts: Brass  
 Terminal Plating: Tin plated  
 Recommended Wire: 22AWG to 28AWG

### Electrical Characteristics:

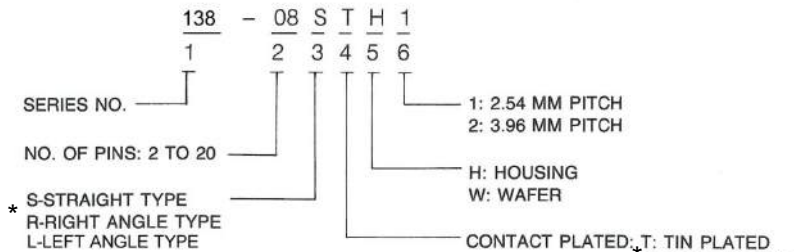
Current Rating: 2A  
 Insulator Resistance: 100M Ohm min. at AC 250V  
 Contact Resistance: 10m Ohm max.  
 Operating Temperature: -25°C ~ +85°C

### Features:

- Available in single row 2 pin to 20 pin.
- Terminal ordered separately.
- Side-to-side and end-to-end stackable.
- Polarizing key for correct orientation.



### How to order



\* Only applicable to PCB pin header

CRIMP PINS: 138-2.54T

Position	2 Thru 20
Dimension	
A	2.54 X No. of Positions +0.6
B	2.54 X No. of Positions -2.54



# 144 SERIES

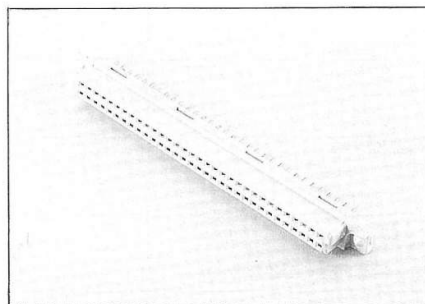
## DIN41612 B TYPE (2 ROWS)

### Specifications:

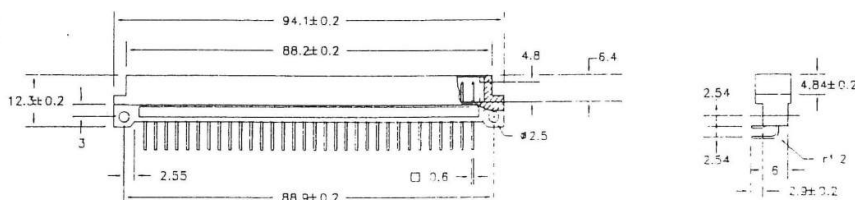
Contact Resistance: 30mΩmax. at DC 100mA  
 Insulator Resistance: 1000MΩmin. at DC 500V  
 Current Rating: 2 AMP

### Dielectric Withstanding

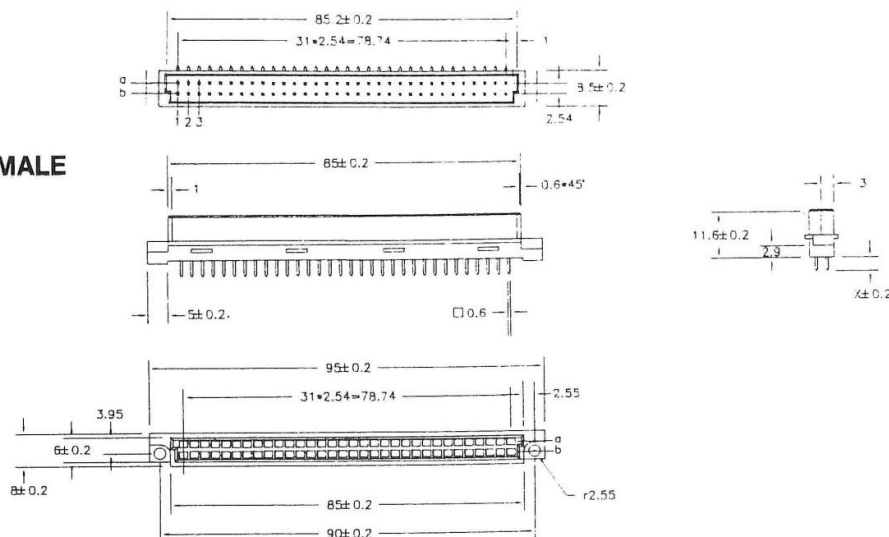
Voltage: AC 1000V For 1 minute  
 Operating Temperature: -55°C~+105°C  
 Contact: Male Brass  
           Female Phosphor Bronze  
 Housing: PBT & 30% Glass Fiber (UL 94V-O)



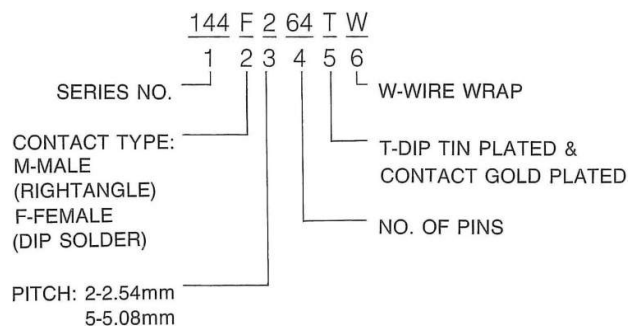
### MALE



### FEMALE



## How to order



Pitch	Position	Rows with Contacts	X length			
			1	2	W1	W2
2.54mm	64	a b	Male	2.9mm		
	32	a -				
5.08mm	32	a b	Female	4.0mm	13mm	17mm
	16	a -				



# 145 SERIES

## DIN41612 Q TYPE (2 ROWS)

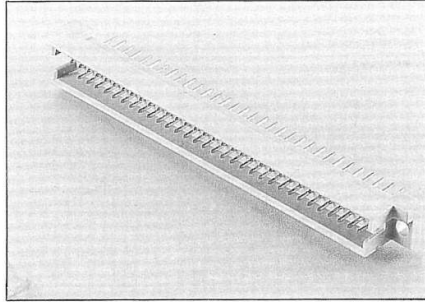
### Specifications:

Contact Resistance: 30mΩmax. at DC 100mA  
 Insulator Resistance: 1000MΩmin. at DC 500V  
 Current Rating: 2 AMP

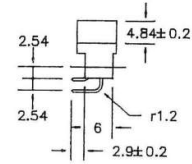
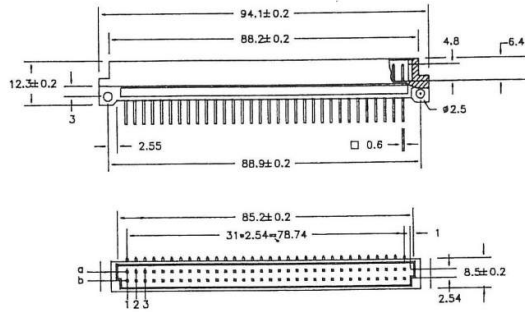
### Dielectric Withstanding

Voltage: AC 1000V For 1 minute  
 Operating Temperature: -55°C~+105°C

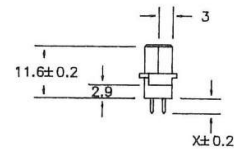
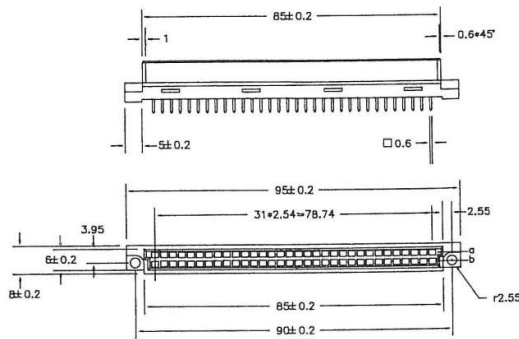
Contact: Male Brass  
 Female Phosphor Bronze  
 Housing: PBT & 30% Glass Fiber (UL 94V-O)



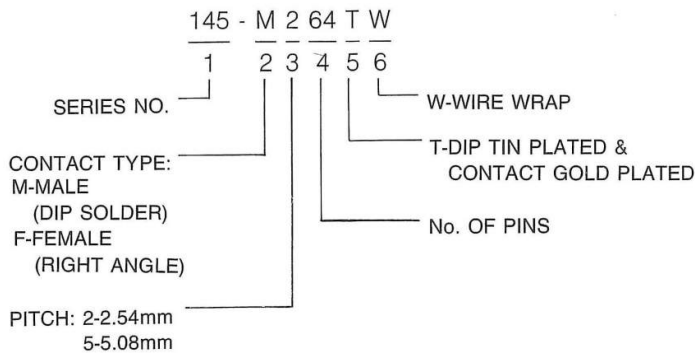
Female



Male



## How to order



Pitch	Position	Rows with Contacts	X lenght	1	2	W1	W2
				2.54mm	64	a b	Male
	32	a -					
5.08mm	32	a b	Female	2.9mm			
	16	a -					





# 146 SERIES

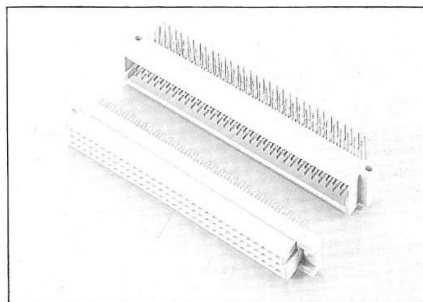
## DIN41612 C TYPE (3 ROWS)

### Specifications:

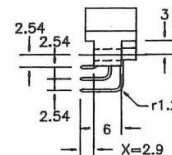
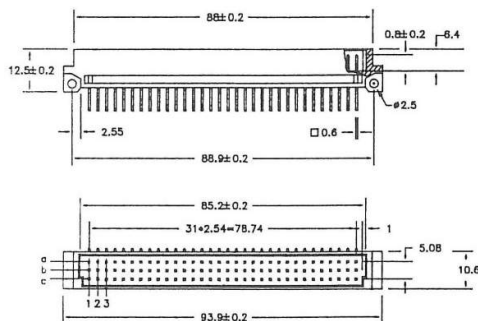
Contact Resistance: 30mΩmax. at DC 100mA  
 Insulator Resistance: 1000MΩmin. at DC 500V  
 Current Rating: 2 AMP

### Dielectric Withstanding

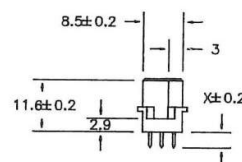
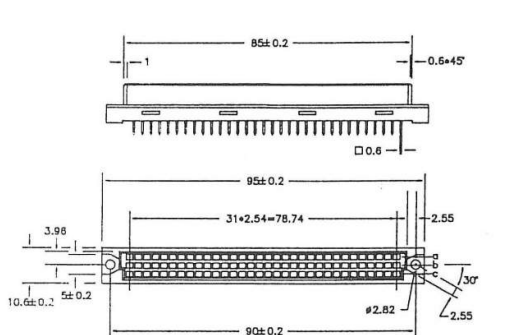
Voltage: AC 1000V For 1 minute  
 Operating Temperature: -55°C~+105°C  
 Contact: Male Brass  
                   Female Phosphor Bronze  
 Housing: PBT & 30% Glass Fiber (UL 94V-0)



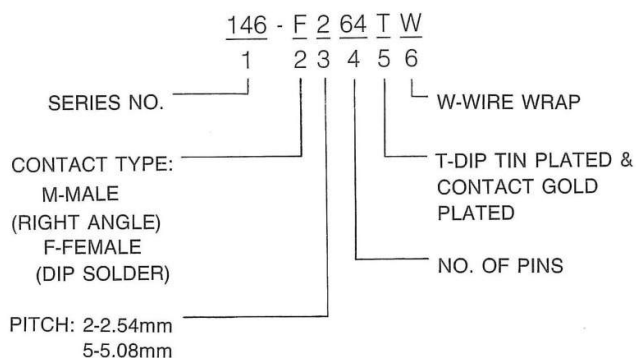
Male



Female



## How to order



Pitch	Position	Rows with Contacts	X length	1	2	W1	W2
				2.54mm	96	a b c	Male
	64	a - c					
5.08mm	48	a b c	Female	4.0mm		13mm	17mm
	32	a - c					



# 147 SERIES

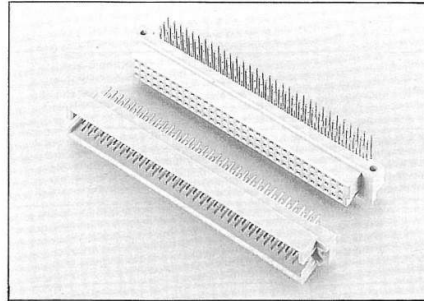
## DIN41612 R TYPE (3 ROWS)

### Specifications:

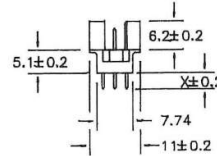
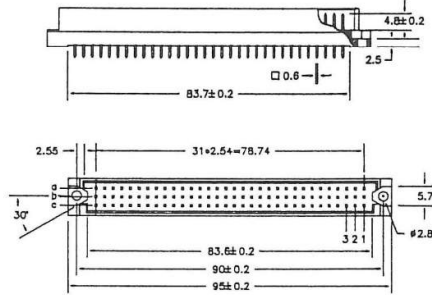
Contact Resistance: 30mΩmax. at DC 100mA  
 Insulator Resistance: 1000MΩmin. at DC 500V  
 Current Rating: 2 AMP

### Dielectric Withstanding

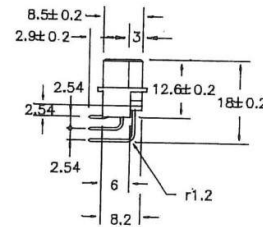
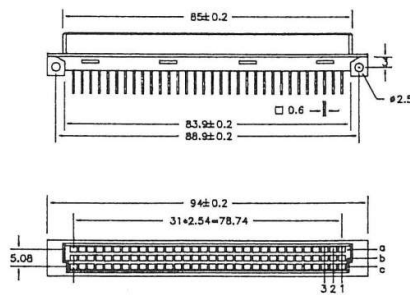
Voltage: AC 1000V For 1 minute  
 Operating Temperature: -55°C~+105°C  
 Contact: Male Brass  
                     Female Phosphor Bronze  
 Housing: PBT & 30% Glass Fiber (UL 94V-0)



Male



Female



## How to order

147 - M 2 64 T W  
 1 2 3 4 5 6

SERIES NO. ————

CONTACT TYPE: ————  
 M-MALE  
 (DIP SOLDER)  
 F-FEMALE  
 (RIGHT ANGLE)

PITCH: 2-2.54mm  
 5-5.08mm

W-WIRE WRAP  
 T-DIP TIN PLATED &  
 CONTACT GOLD  
 PLATED  
 NO. OF PINS

Pitch	Position	Rows with Contacts	X length			
			1	2	W1	W2
2.54mm	96	a b c	Male	5.0mm	14.7mm	
	64	a - c				
5.08mm	48	a b c	Female	2.9mm		
	32	a - c				



# 148 SERIES

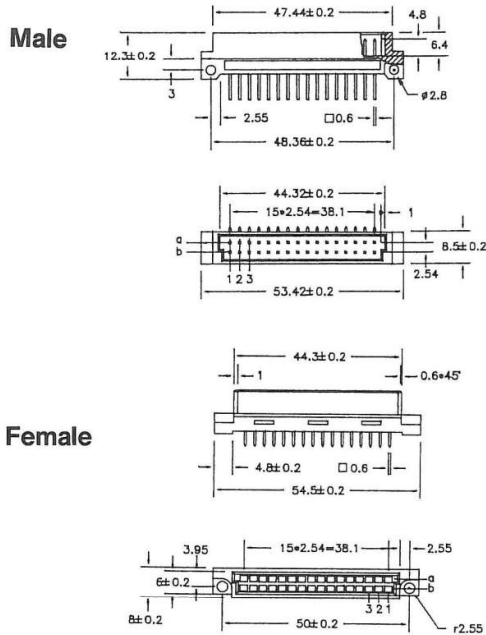
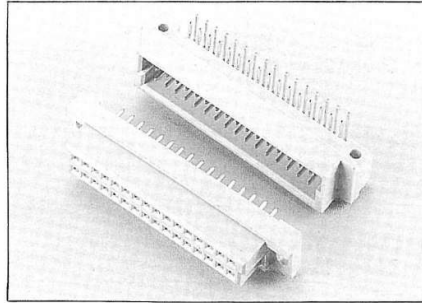
## DIN41612 B/2 TYPE (2 ROWS)

### Specifications:

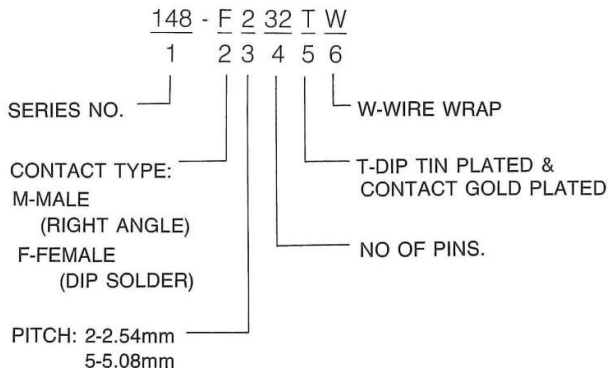
Contact Resistance: 30mΩmax. at DC 100mA  
 Insulator Resistance: 1000MΩmin. at DC 500V  
 Current Rating: 2 AMP

### Dielectric Withstanding

Voltage: AC 1000V For 1 minute  
 Operating Temperature: -55°C~+105°C  
 Contact: Male Brass  
 Female Phosphor Bronze  
 Housing: PBT & 30% Glass Fiber (UL 94V-O)



## How to order



Pitch	Position	Rows with Contacts	X length	1	2	W1	W2
				2.54mm	32	a b	Male
	16	a -					
5.08mm	16	a b	Female	4.0mm		13mm	17mm
	8	a -					



# 149 SERIES

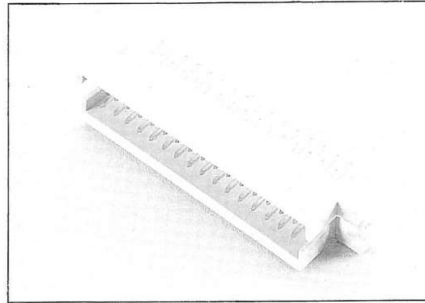
## DIN41612 Q/2 TYPE (2 ROWS)

### Specifications:

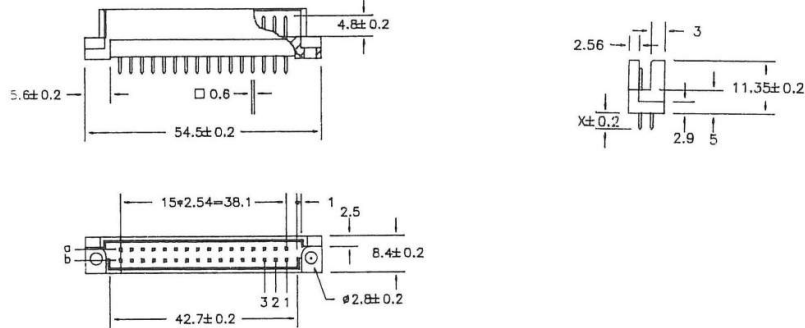
Contact Resistance: 30mΩmax. at DC 100mA  
 Insulator Resistance: 1000MΩmin. at DC 500V  
 Current Rating: 2 AMP

### Dielectric Withstanding

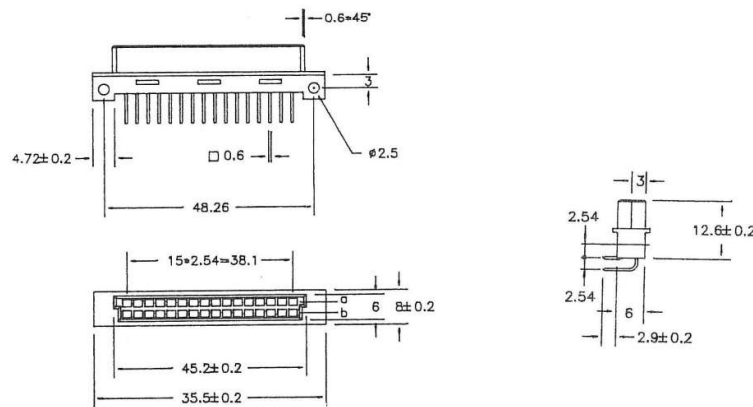
Voltage: AC 1000V For 1 minute  
 Operating Temperature: -55°C~+105°C  
 Contact: Male Brass  
           Female Phosphor Bronze  
 Housing: PBT & 30% Glass Fiber (UL 94V-0)



### Male



### Female



## How to order

149 - M 2 32 T W  
 1 2 3 4 5 6  
 SERIES NO. | | | | | |  
 CONTACT TYPE: M-MALE (DIP SOLDER) or F-FEMALE (RIGHT ANGLE)  
 W-WIRE WRAP  
 T-DIP TIN PLATED & CONTACT GOLD PLATED  
 NO. OF PINS  
 PITCH: 2-2.54mm, 5-5.08mm

Pitch	Position	Rows with Contacts	X lenght	1	2	W1	W2
2.54mm	32	a b	Male	5.0mm		14.7mm	
	16	a -					
5.08mm	16	a b	Female	2.9mm			
	8	a -					



# 150 SERIES

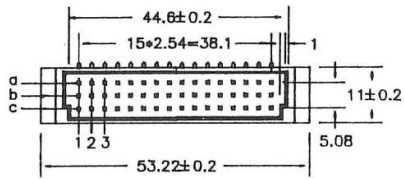
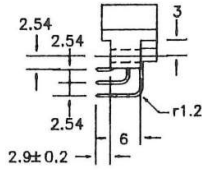
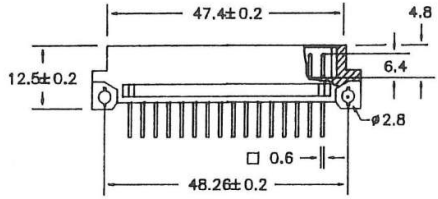
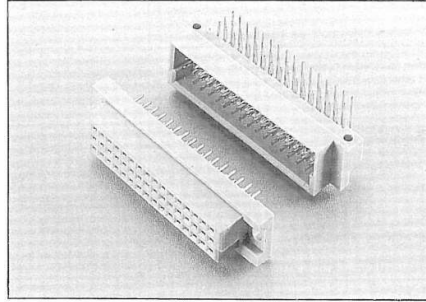
## DIN41612 C/2 TYPE (3 ROWS)

### Specifications:

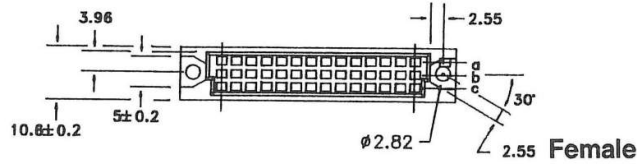
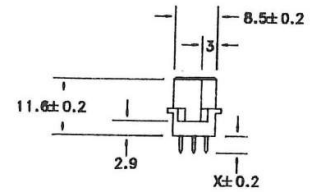
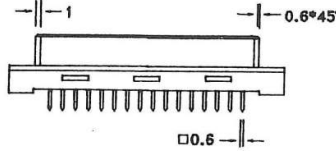
Contact Resistance: 30mΩmax. at DC 100mA  
 Insulator Resistance: 1000MΩmin. at DC 500V  
 Current Rating: 2 AMP

### Dielectric Withstanding

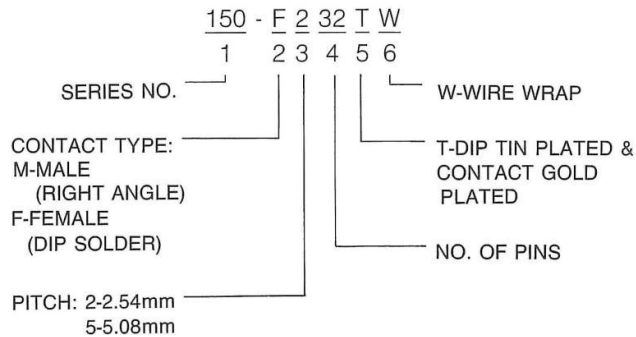
Voltage: AC 1000V For 1 minute  
 Operating Temperature: -55°C~+105°C  
 Contact: Male Brass  
           Female Phosphor Bronze  
 Housing: PBT & 30% Glass Fiber (UL 94V-0)



Male



## How to order



Pitch	Position	Rows with Contacts	X length			
			1	2	W1	W2
2.54mm	48	a b c	Male	2.9mm		
	32	a - c				
5.08mm	24	a b c	Female	4.0mm	13mm	17mm
	16	a - c				



# 151 SERIES

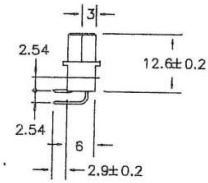
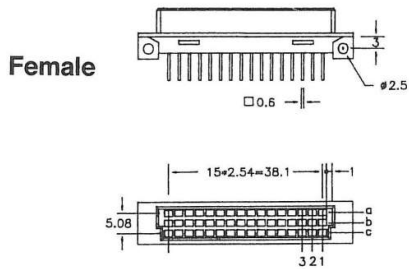
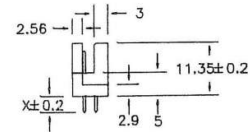
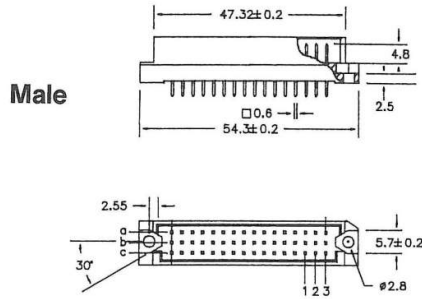
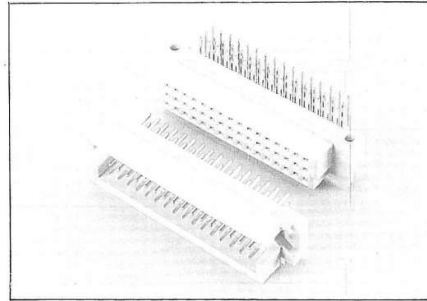
## DIN41612 R/2 TYPE (3 ROWS)

### Specifications:

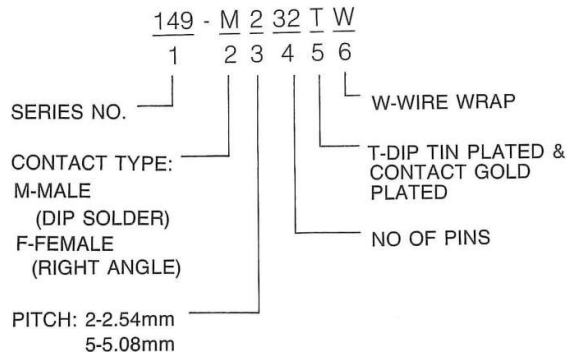
Contact Resistance: 30mΩmax. at DC 100mA  
 Insulator Resistance: 1000MΩmin. at DC 500V  
 Current Rating: 2 AMP

### Dielectric Withstanding

Voltage: AC 1000V For 1 minute  
 Operating Temperature: -55°C~+105°C  
 Contact: Male Brass  
           Female Phosphor Bronze  
 Housing: PBT & 30% Glass Fiber (UL 94V-O)



## How to order

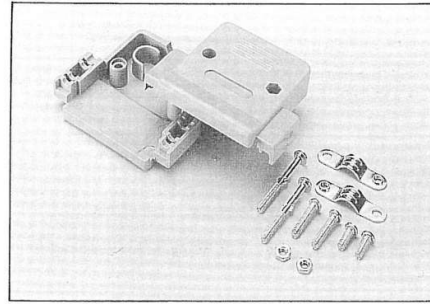
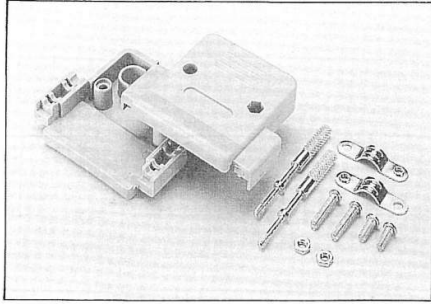


Pitch	Position	Rows with Contacts	X length			
			1	2	W1	W2
2.54mm	48	a b c	Male	5.0mm	14.7mm	
	32	a - c				
5.08mm	24	a b c	Female	2.9mm		
	16	a - c				

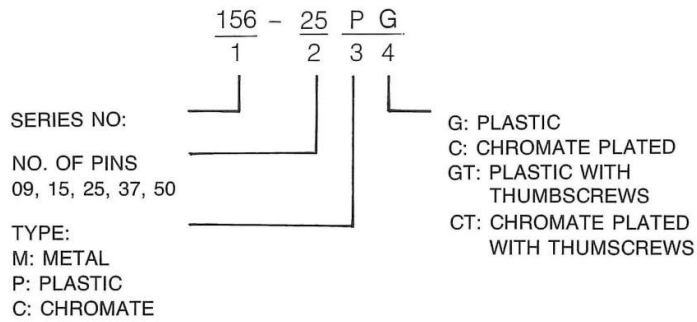


# 156 SERIES

## D-SUB COVER

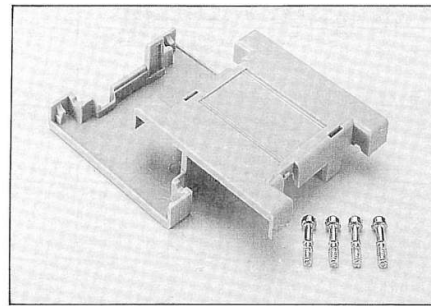
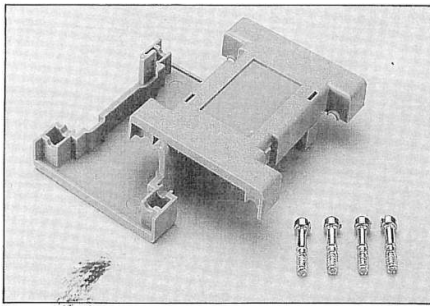


### How to order

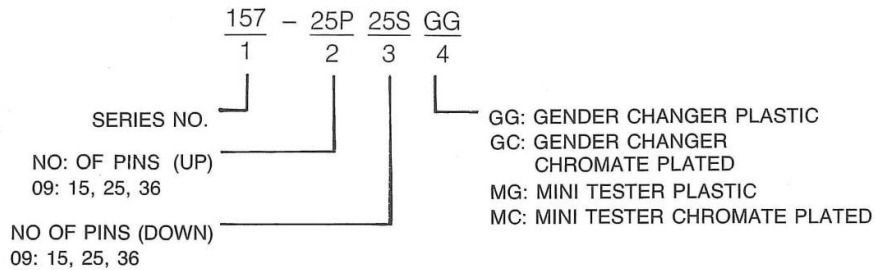


# 157 SERIES

## D-SUB HOOD

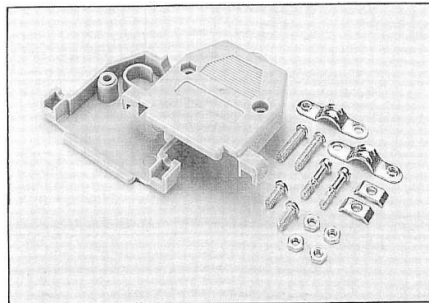
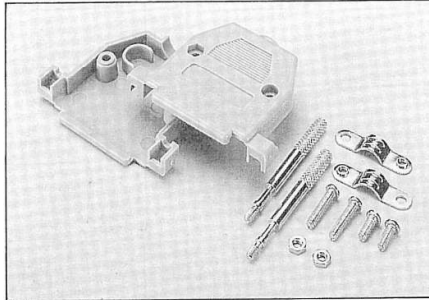
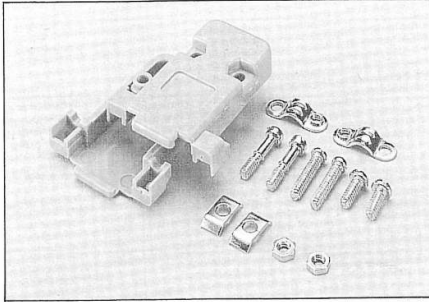


### How to order





# 158 SERIES D-SUB COVER



## How to order

	158	-	25	P	G	
	1		2	3	4	
SERIES NO:	└──┘		└──┘		└──┘	
NO. OF PINS	└──┘		└──┘		└──┘	
09, 15, 25, 37, 50	└──┘		└──┘		└──┘	
TYPE:	└──┘		└──┘		└──┘	
M: METAL	└──┘		└──┘		└──┘	
P: PLASTIC	└──┘		└──┘		└──┘	
C: CHROMATE	└──┘		└──┘		└──┘	

G: PLASTIC  
 C: CHROMATE PLATED  
 GT: PLASTIC WITH THUMBSCREWS  
 CT: CHROMATE PLATED WITH THUMBSCREWS  
 Z: METAL

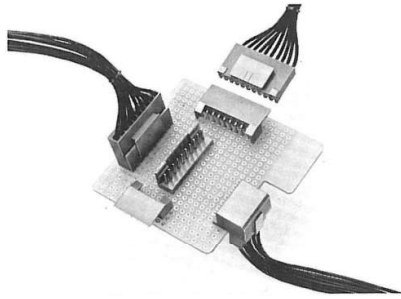
## IL Series

### Gold Plated 2.5mm Pitch Wire to Board Connection

- 2.5 mm Pitch

Original

## IL Series



The original version among the IL Series connectors of 2.5 mm contact spacings. The connectors are designed to have friction locking mechanism, yet maintaining smooth mating/unmating.

The “double-lock” design on the pin header and the socket housing functions as mating guide to avoid mismating and as support means to prevent the socket connector from inclining.

Pin headers (soldered to P.C. board) and mating socket (having crimp, snap-in contacts) are usable for interconnection between P.C. board and cables. The pin headers, combined with Dip sockets (IL Series Type D), are usable for direct interconnection between P.C. boards. Pin headers are available in 3 types: straight, right-angle and bottom-entry type (which mates with socket from back side of P.C. board.)

#### ● Materials & Finish

Insulator . . . Nylon 66 (standard color: light brown), UL 94V-0.

Post . . . Brass/Gold plating or tin plating.

Socket contact . . . Phosphor bronze/  
Selective gold plating or tin plating.

#### ● Specifications (for details, see page 15)

Current Rating . . . 3 A

Dielectric Withstanding Voltage . . . .  
AC1, 500 Vr.m.s.

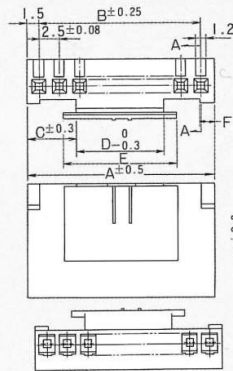
Insulation Resistance . . 100 megohms min.

Contact Resistance . . 20 milliohms max.

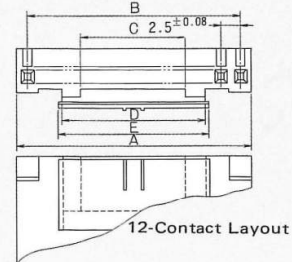
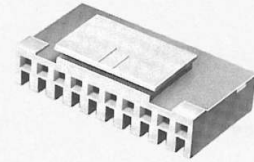
Operating Temperature Range . . . .  
40°C to +85°C

- Socket Housing

## IL- ※※ S-S3L-(N)

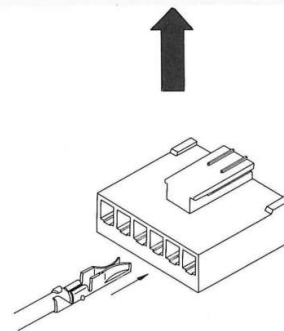


A-A Section



12-Contact Layout

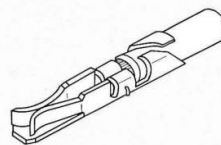
No. of Contacts	Part No.	A±0.5	B±0.25	C±0.3	D±0.3	E±0.5	F	Contact No. markings
2	IL-2S-S3L-(N)	5.5	2.5	2.1	1.4	2.4	1	1
3	IL-3S-S3L-(N)	8	5	3.1	1.9	2.9	1	1
4	IL-4S-S3L-(N)	10.5	7.5	4.1	2.4	3.4	1	1
5	IL-5S-S3L-(N)	13	10	5.1	2.9	3.9	1	1,5
6	IL-6S-S3L-(N)	15.5	12.5	6.1	3.4	4.4	1	1,5,6
7	IL-7S-S3L-(N)	18	15	6.1	5.9	6.9	1	1,5,6
8	IL-8S-S3L-(N)	20.5	17.5	6.1	8.4	9.4	1.5	1,5,6,8
9	IL-9S-S3L-(N)	23	20	6.1	10.9	11.9	1.5	1,5,6,8
10	IL-10S-S3L-(N)	25.5	22.5	6.1	13.4	14.4	3	1,5,6,8,10
12	IL-12S-S3L-(N)	30.5	27.5	13.5	18.4	19.4	3	1,5,6,8,10,12



- Socket Contacts (crimp type)

## IL-C2-10000 (tin plate)

## IL-C2-1-10000 (selective gold plate over nickel)



- Applicable wire:

AWG #28 ~ #22, stranded wire  
Wire conductor cross-sectional area . . . 0.08 mm<sup>2</sup> to 0.33 mm<sup>2</sup>  
Overall dia. including insulation . . . 1.0 mm to 1.7 mm

- Applicable semi-automatic crimping machine: CT350-2B-IL

- Applicable hand crimping tool: CT150-1\*IL (AWG#28~#22)

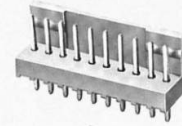
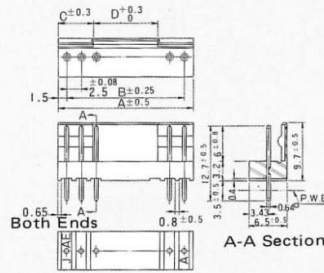
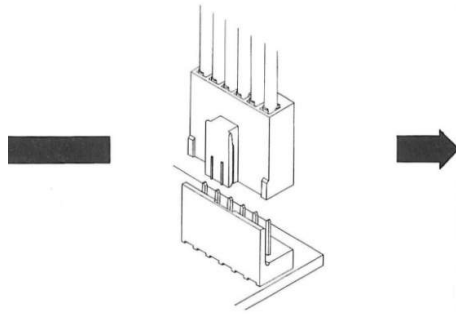


# IL Series

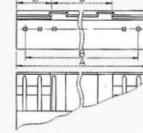
## Gold Plated 2.5mm Pitch Wire to Board Connection

### • Straight Pin Header

#### IL- ※※ P-S3EN2

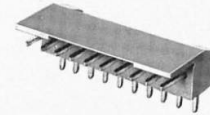
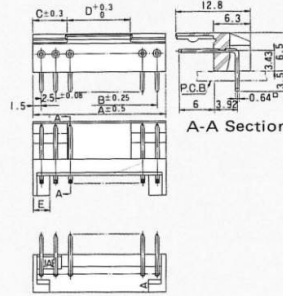
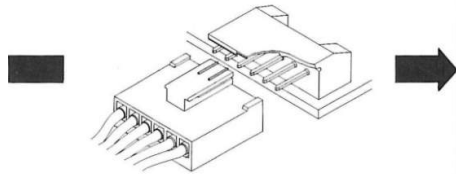


11-&12-Contact Layouts

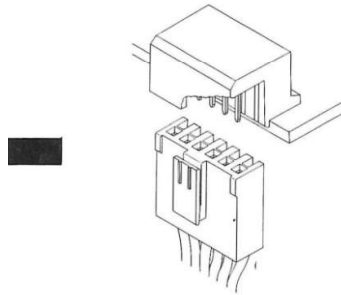
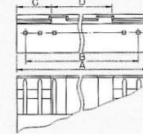


### • Right-angle Pin Header

#### IL- ※※ P-S3FP2

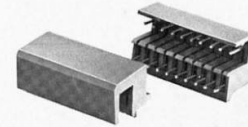
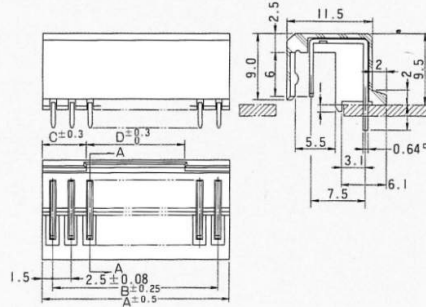


12-Contact Layout

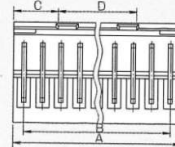


### • Bottom-entry type Pin Header

#### IL- ※※ P-S3UX2

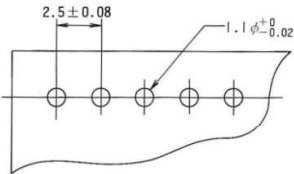


11-&12-Contact Layouts



### • PC Board Mounting Dimensions

Applicable PC board thickness  
... 1.6 ~ 2.4 mm



No. of Contacts	Part No.					Dimension				
	Straight Pin Header		Right-angle Pin Header		Bottom-entry type	A	B	C	D	E
	Tin plate	Gold plate	Tin plate	Gold plate	Tin plate	±0.5	±0.25	±0.3	+0.3	
2	IL-2P-S3EN2	IL-2P-S3EN2-1	IL-2P-S3FP2	IL-2P-S3FP2-1	IL-2P-S3UX2	5.5	2.5	2	1.5	1.7
3	IL-3P-S3EN2	IL-3P-S3EN2-1	IL-3P-S3FP2	IL-3P-S3FP2-1	IL-3P-S3UX2	8	5	3	2	3
4	IL-4P-S3EN2	IL-4P-S3EN2-1	IL-4P-S3FP2	IL-4P-S3FP2-1	IL-4P-S3UX2	10.5	7.5	4	2.5	3
5	IL-5P-S3EN2-(N)	IL-5P-S3EN2-1	IL-5P-S3FP2-(N)	IL-5P-S3FP2-1	IL-5P-S3UX2	13	10	5	3	3
6	IL-6P-S3EN2	IL-6P-S3EN2-1	IL-6P-S3FP2	IL-6P-S3FP2-1	IL-6P-S3UX2	15.5	12.5	6	3.5	3
7	IL-7P-S3EN2	IL-7P-S3EN2-1	IL-7P-S3FP2	IL-7P-S3FP2-1	IL-7P-S3UX2	18	15	6	6	3
8	IL-8P-S3EN2	IL-8P-S3EN2-1	IL-8P-S3FP2	IL-8P-S3FP2-1	IL-8P-S3UX2	20.5	17.5	6	8.5	3
9	IL-9P-S3EN2	IL-9P-S3EN2-1	IL-9P-S3FP2	IL-9P-S3FP2-1	IL-9P-S3UX2	23	20	6	11	3
10	IL-10P-S3EN2	IL-10P-S3EN2-1	IL-10P-S3FP2	IL-10P-S3FP2-1	IL-10P-S3UX2	25.5	22.5	6	13.5	3
11	IL-11P-S3EN2	IL-11P-S3EN2-1	-	-	IL-11P-S3UX2	28	25	6*	16	3
12	IL-12P-S3EN2	IL-12P-S3EN2-1	IL-12P-S3FP2	IL-12P-S3FP2-1	IL-12P-S3UX2	30.5	27.5	6	18.5	3

# IL Series

## Gold Plated 2.5mm Pitch Wire to Board Connection

### Socket Contacts

### & Crimping Tools/Machine



Crimp, snap-in (rear insertion, rear release) socket contacts.

Hand crimping tools and semi-automatic crimping machine are available.

Contacts are supplied in reeled form, with 5000 (C1 type)/10000 (C2 type) contacts per reel.

#### Material & Finish

Material: Phosphor bronze

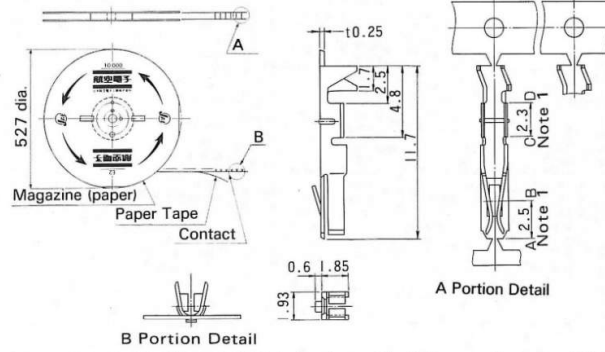
Finish: Tin plating, or selective gold plating over nickel plating

Socket contacts	Applicable Socket Housings
IL-C2-10000	IL-*S-S3L-(N) IL-B-**
IL-C2-1-10000	IL-E-*S-S3C2 IL-2S-S3-LED
IL-C1-5000	IL-C-*S-S5C1-B

#### For wire size AWG #28 ~ #22

### IL-C2-10000

(10000 pcs./reel)

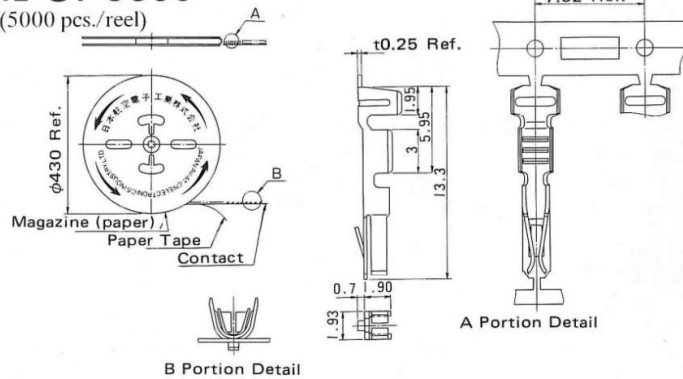


Note 1: IL-C2-1-10000 (selective gold plating version) . . . Nickel plating on all over, plus minimum 0.1 micron meter gold plating on inner area of contact area A-B and wire crimp barrel C-D.

#### For wire size AWG #22 ~ #18

### IL-C1-5000

(5000 pcs./reel)

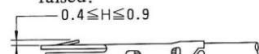


\* Mating pin to be  $0.64 \pm 0.05$  mm square.

Contact Part No.	Finish	Applicable Wire Size			Applicable Crimp Tool	
		Size (AWG)	Conductor Cross-sectional Area (mm <sup>2</sup> )	Overall dia. including insulation (mm)	Hand Tool	Semi-auto machine
IL-C2-10000	Tin	#28~#26	0.08~0.13	1.0~1.3	CT150-1-IL	CT350-2B-IL
		#26~#24	0.13~0.20	1.2~1.5	CT150-1B-IL	
		#24~#22	0.20~0.32	1.4~1.7	CT150-1C-IL	
		#20 (shielded wire)	0.52	—	CT150-1D-IL	
IL-C2-1-10000	Selective gold	Same as above	Same as above	Same as above	Same as above	Same as above
IL-C1-5000	Tin	#22~#18	0.33~0.82	2.4 max.	CT150-1-ILA	CT350-2-ILA

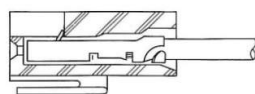
#### Contact Insertion Procedure

① Check that the contact retaining latch is properly raised.



② Start insertion of the contact from the rear of housing, initially with approx.  $5^\circ - 10^\circ$  inclination to the axis of cavity. The latch must be on the same side as the contact engaging port of housing.

③ Continue insertion until the latch fully engages with the port of housing with click sound.

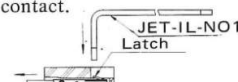


Contact Extraction Tool: JET-IL-N01



#### Contact Extraction Procedure

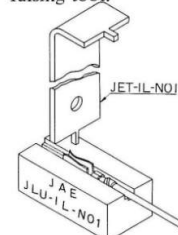
① Insert the tip of extraction tool into the contact engaging port of housing, and push the latch down. While keeping pushing, pull the wire to extract the contact.



Latch Raising Tool: JLU-IL-N01



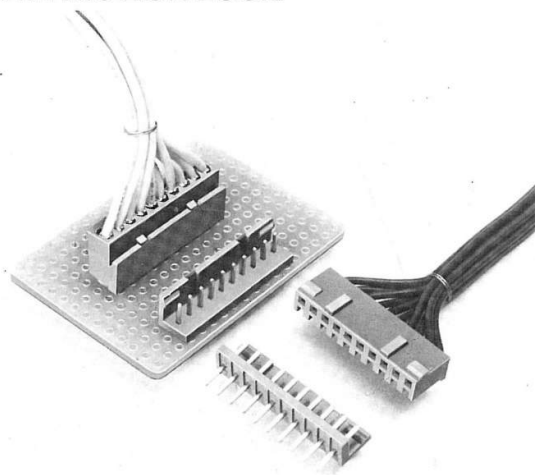
② When the contact once extracted is used again, the latch must be reinstated to raised position by use of the latch raising tool.



# IL-G Series

## Low Profile 2.5mm Pitch Wire to Board Connection

### LOW PROFILE 2.5mm PITCH INDIRECT PCB CONNECTOR WITH FRICTION LOCK

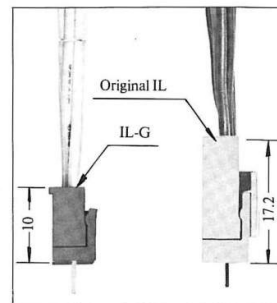


IL-G series connector is highly reliable, low cost, low profile, indirect PCB connector with friction locking mechanism, making lower and higher density mounting on the P.C. board.

- Very low profile — total mated height: 10mm
- Newly designed, highly reliable socket contact
- 14 sizes, from 2 to 15 contact layouts
- Straight/Right angle pin headers & sockets

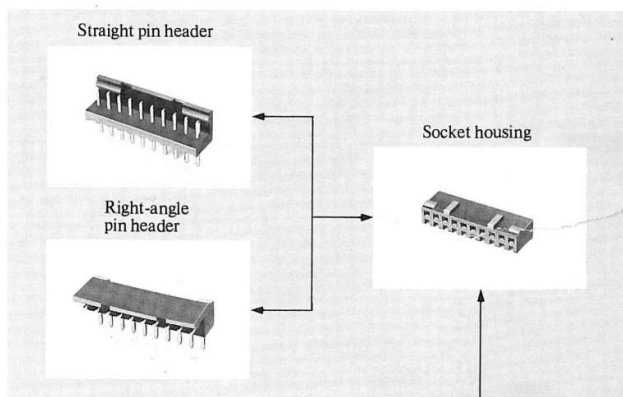
#### • MATERIALS & FINISHES

Insulator: 66 Nylon,  
UL94V-0 light brown  
Pin contact: Brass,  
Tin over nickel plated



#### • STANDARD DATA

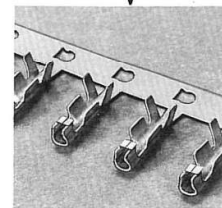
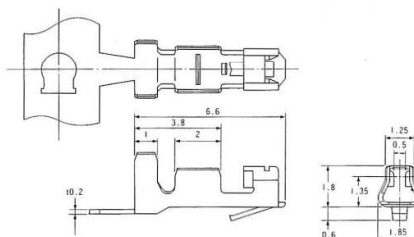
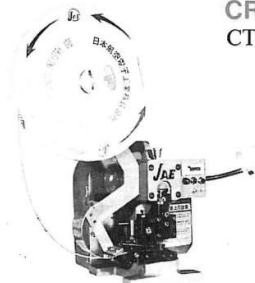
Current rating: 3 Amp.  
Dielectric withstanding voltage: 1500 VAC r.m.s.  
Insulation resistance: 100 MΩ min.  
Contact resistance: 20 mΩ max.  
Contact retention: 1 kg min.  
Total mating force:  $(350 \times n + 1500)$  g max.  
Total unmating force:  $(200 \times n + 1500)$  g min.  
Operating temperature:  $-40^{\circ}\text{C}$  thru  $+85^{\circ}\text{C}$   
Applicable PCB: 1.6 thru 2.6 mm thick  
Applicable wire size: AWG #22 thru #28  
(n=Number of contacts)



#### • SOCKET CONTACT (CRIMP TYPE)

P/N: IL-G-C2-SC-10000 (reeled 10000 pcs.)  
Material: Phosphor bronze  
Finish: Tin plate

#### • SEMI-AUTOMATIC CRIMPING MACHINE: CT350-2-ILG



#### • HAND CRIMPING TOOL:

Tool	Applicable wire		Insulation stripping length
	AWG#	Outer dia.	
CT150-1-ILG	#28~#26	1.0~1.3mm	2.4~3.0mm
CT150-1B-ILG	#26~#24	1.2~1.5mm	
CT150-1C-ILG	#24~#22	1.4~1.7mm	
CT150-1D-ILG	#20 (shielded wire)		

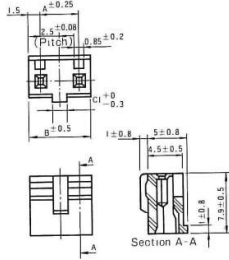
# IL-G Series

## Low Profile 2.5mm Pitch Wire to Board Connection

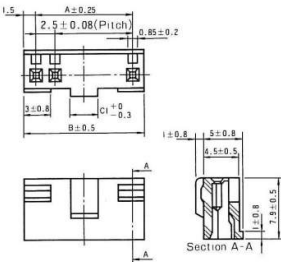
### SOCKET HOUSING

P/N: IL-G-\*S-S3C2-SA  
(\*=number of contacts)

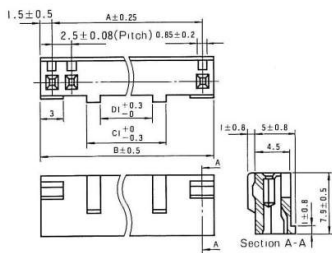
- 2, 3 contact



- 4~6 contact



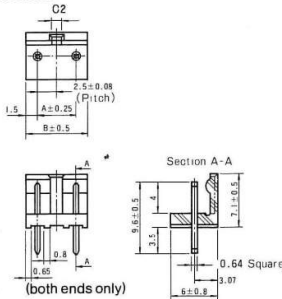
- 7~15 contact



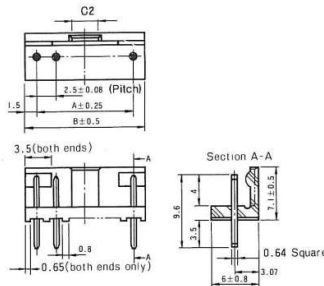
### STRAIGHT PIN HEADER

P/N: IL-G-\*P-S3T2-SA  
(\*=number of contacts)

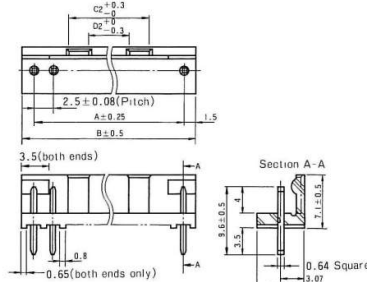
- 2, 3 contact



- 4~6 contact



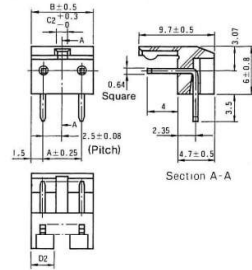
- 7~15 contact



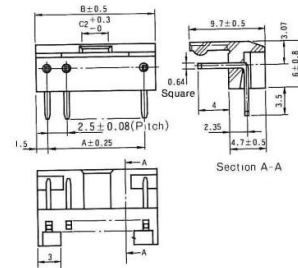
### ANGLE PIN HEADER

P/N: IL-G-\*P-S3L2-SA  
(\*=number of contacts)

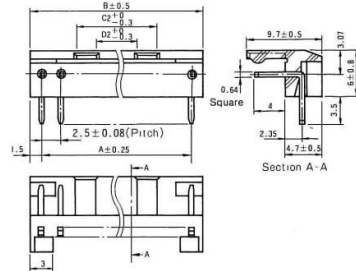
- 2, 3 contact



- 4~6 contact



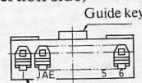
- 7~15 contact



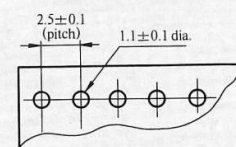
(Conguration of 13, 14 & 15-contact layouts are slightly different)

No. of contacts	A±0.25	B±0.5	C1±0.3	C2±0.3	D1±0.3	D2±0.3	Terminal No. on housing
2	2.5	5.5	1.4	1.5	—	1.7	1
3	5	8	1.9	2	—	3	1
4	7.5	10.5	2.4	2.5	—	—	1
5	10	13	2.9	3	—	—	1, 5
6	12.5	15.5	3.4	3.5	—	—	1, 5, 6
7	15	18	3.9	4	2.5	2.4	1, 5, 6
8	17.5	20.5	4.4	4.5	5	4.9	1, 5, 6, 8
9	20	23	4.9	5	7.5	7.4	1, 5, 6, 8
10	22.5	25.5	5.4	5.5	10	9.9	1, 5, 6, 8, 10
11	25	28	5.9	6	12.5	12.4	1, 5, 6, 8, 10
12	27.5	30.5	6.4	6.5	15	14.9	1, 5, 6, 8, 10, 12
13	30	33	6.9	7	17.5	17.4	1, 5, 6, 8, 10, 12
14	32.5	35.5	7.4	7.5	20	19.9	1, 5, 6, 8, 10, 12
15	35	38	7.9	8	22.5	22.4	1, 5, 6, 8, 10, 12, 15

\* Terminal No. on housing  
(viewed from contact insertion side)

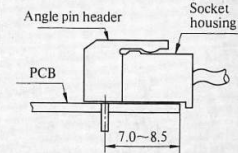


\* PCB Mounting hole  
(PCB thickness: 1.6~2.6mm)



### INSTALLATION

Right-angle pin header must be installed on an edge of the board as shown below:

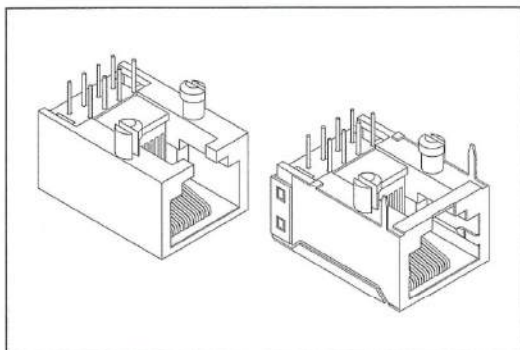


Dimensions (mm) subject to change



# 95001 SERIES

## RJ SOCKET R/A PCB



### Material:

Housing: 30% Glass filled PBT UL94V-0.

Contacts: Phosphor Bronze.

Shield: Brass, Nickel plated.

Plating: Selective Gold plated on contact area over Nickel.

### Electrical Characteristics:

Current Rating: 1.5 AMP.

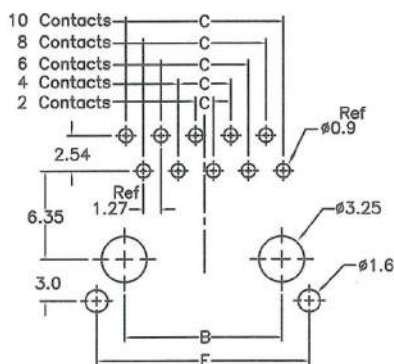
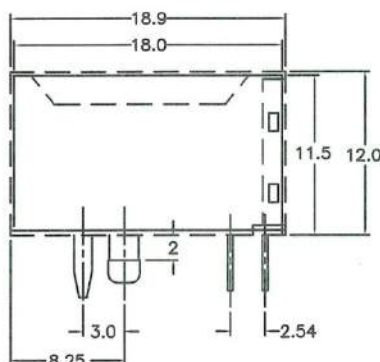
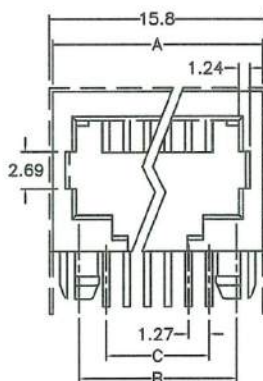
Insulator Resistance: 1000MΩ min. at DC 500V.

Contact Resistance: 30mΩ max. at DC 100mA.

Operating Temperature: -40°C~+85°C.

### Features:

- \* UL recognized, CSA listed.
- \* 50μ"gold meets FCC 68 requirements.
- \* Available in 4, 6, 8, 10 position housing.
- \* Industry compatible profiles and foot prints.
- \* Available in selective loading.
- \* Contact pre-loaded and self aligned.



P.C. Board Layout  
(Top View)

## How to order

Series: 95001

Positions: 4P, 6P, 8P, 10P

Contacts: 4C, 6C, 8C, 10C

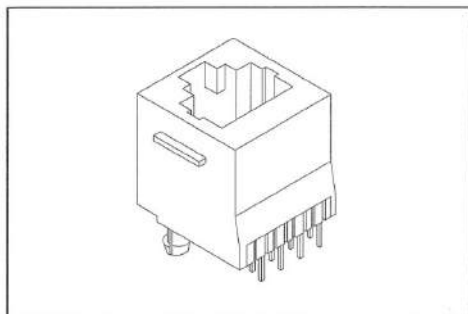
Shield: S (only available for 8 & 10 pos.)  
(blank for standard, no shield)

Eg: 95001-8P8C-S

No. of Position	No. of Contacts	Dimensions			
		A	B	C	E
4	4	11.20	7.62	3.81	
6	2	13.20	10.16	1.27	
6	4	13.20	10.16	3.81	
6	6	13.20	10.16	6.35	
8	8	15.20	11.43	8.89	15.30
10	10	15.20	11.43	11.43	15.30

# 95022 SERIES

## RJ PCB SOCKET VERTICAL PCB



### Material:

Housing: 30% Glass filled PBT UL94V-0.

Contacts: Phosphor Bronze.

### Electrical Characteristics:

Current Rating: 1.5 AMP.

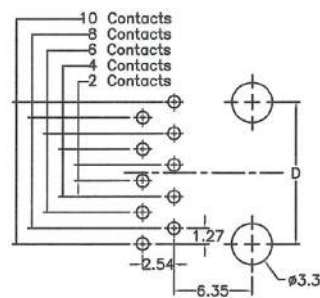
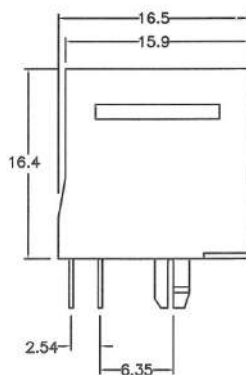
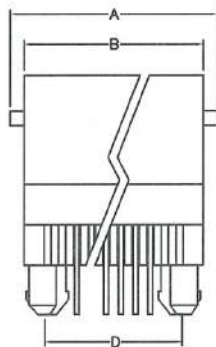
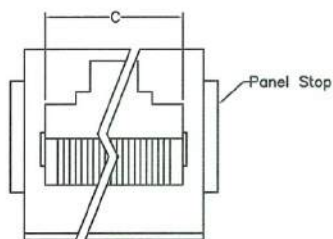
Insulator Resistance: 1000M $\Omega$  min. at DC 500V.

Contact Resistance: 30m $\Omega$  max. at DC 100mA.

Operating Temperature: -40°C~+85°C.

### Features:

- \* UL recognized, CSA listed.
- \* 50 $\mu$ g gold meets FCC 68 requirements.
- \* Available in 4, 6, 8, 10 position housing.
- \* Industry compatible profiles and foot prints.
- \* Available in selective loading.
- \* Contact pre-loaded and self aligned.



P.C. Board Layout  
(Top View)

## How to order

Eg. 95022-8P8CBN

95022: Series

8P: No. of position (4P, 6P, 8P)

8C: No. of contacts (4C, 6C, 8C)

B: Black

N: Without panel stop flanges

No. of Position	No. of Contacts	Dimensions			
		A	B	C	D
4	4	13.97	11.43	7.90	7.62
6	2	16.00	13.46	10.00	10.16
6	4	16.00	13.46	10.00	10.16
6	6	16.00	13.46	10.00	10.16
8	8	18.03	15.49	11.90	11.43
10	10	18.03	15.49	11.90	11.43





# Notes

---

# Notes

---

15 horizontal grey bars for writing notes.



**Sales Hotline: 1300 362 191**

**CONNECTORS FOR DATA AND SIGNAL CONNECTION**